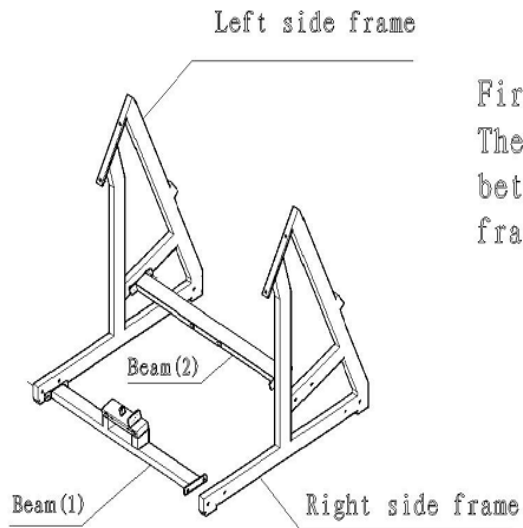


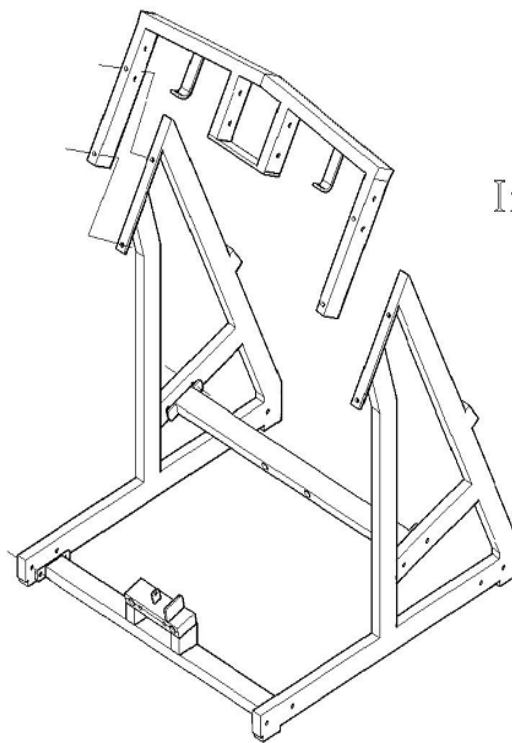
HS-1023 LEG PRESS





First, put on the rubber shoes.
Then install beam (1) (2)
between right and left side
frame.

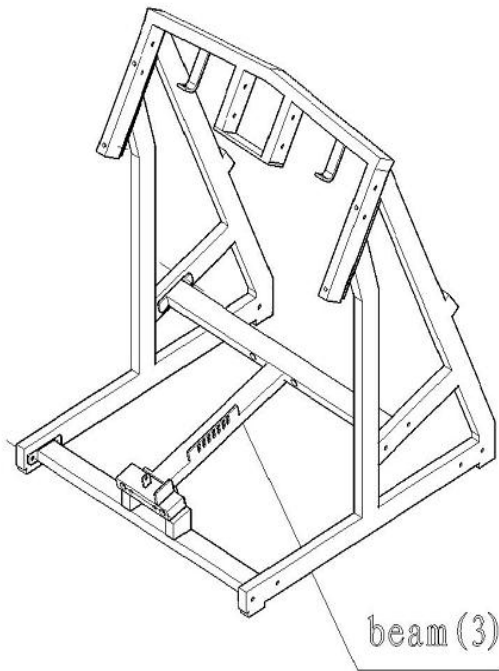
1



Install top frame suport

2

Install beam(3)



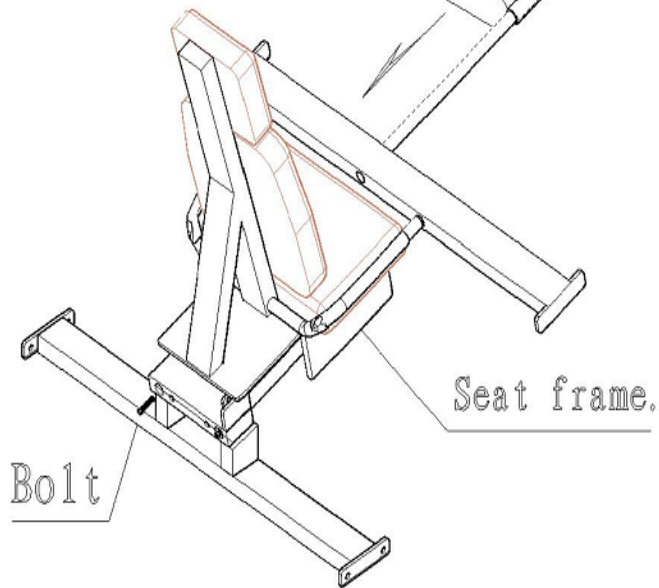
3

Liner for Guide Bar

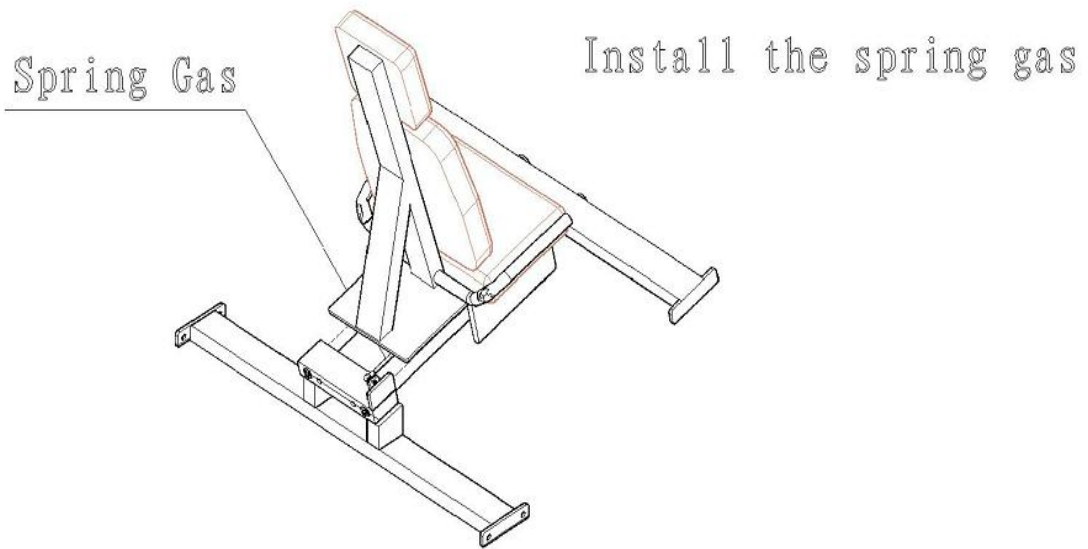
Bolt

Guide Bar

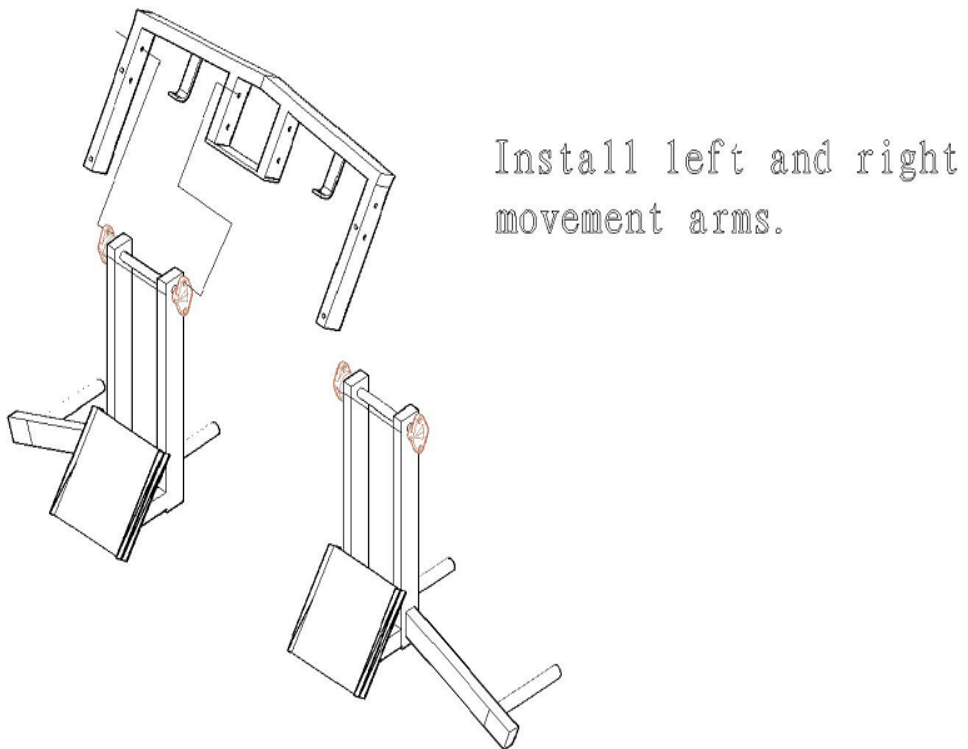
Install seat frame.



4



5



6