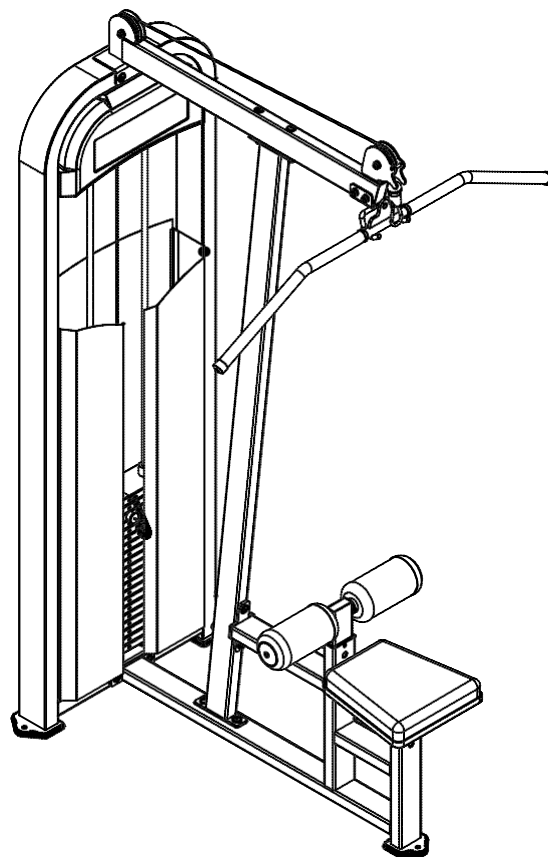
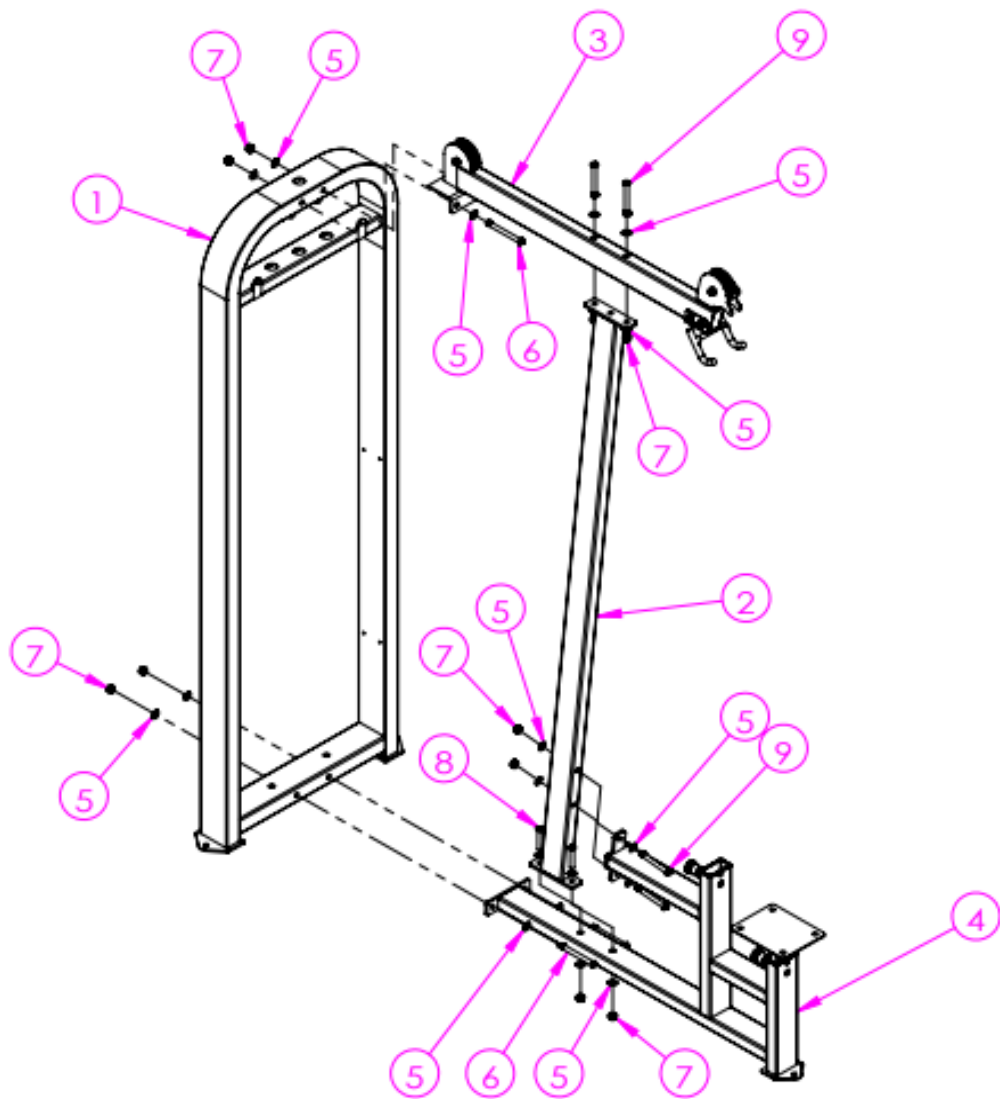
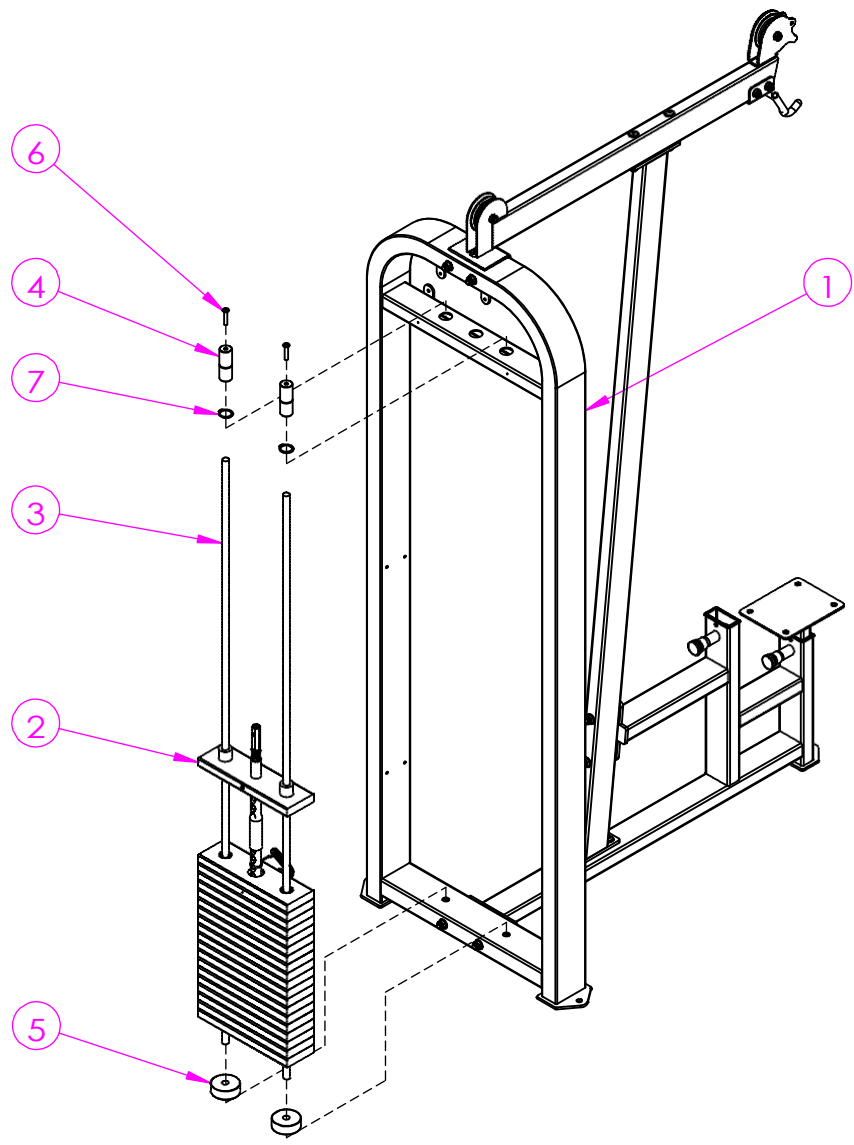


M2-1013A LAT PULL DOWN

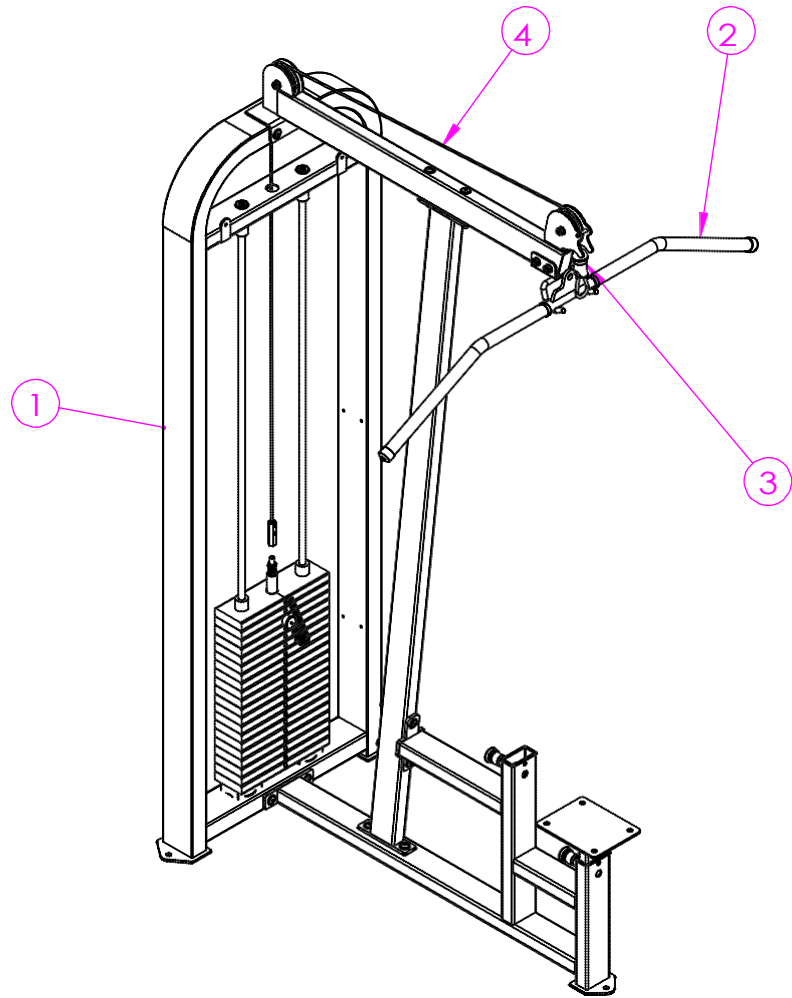




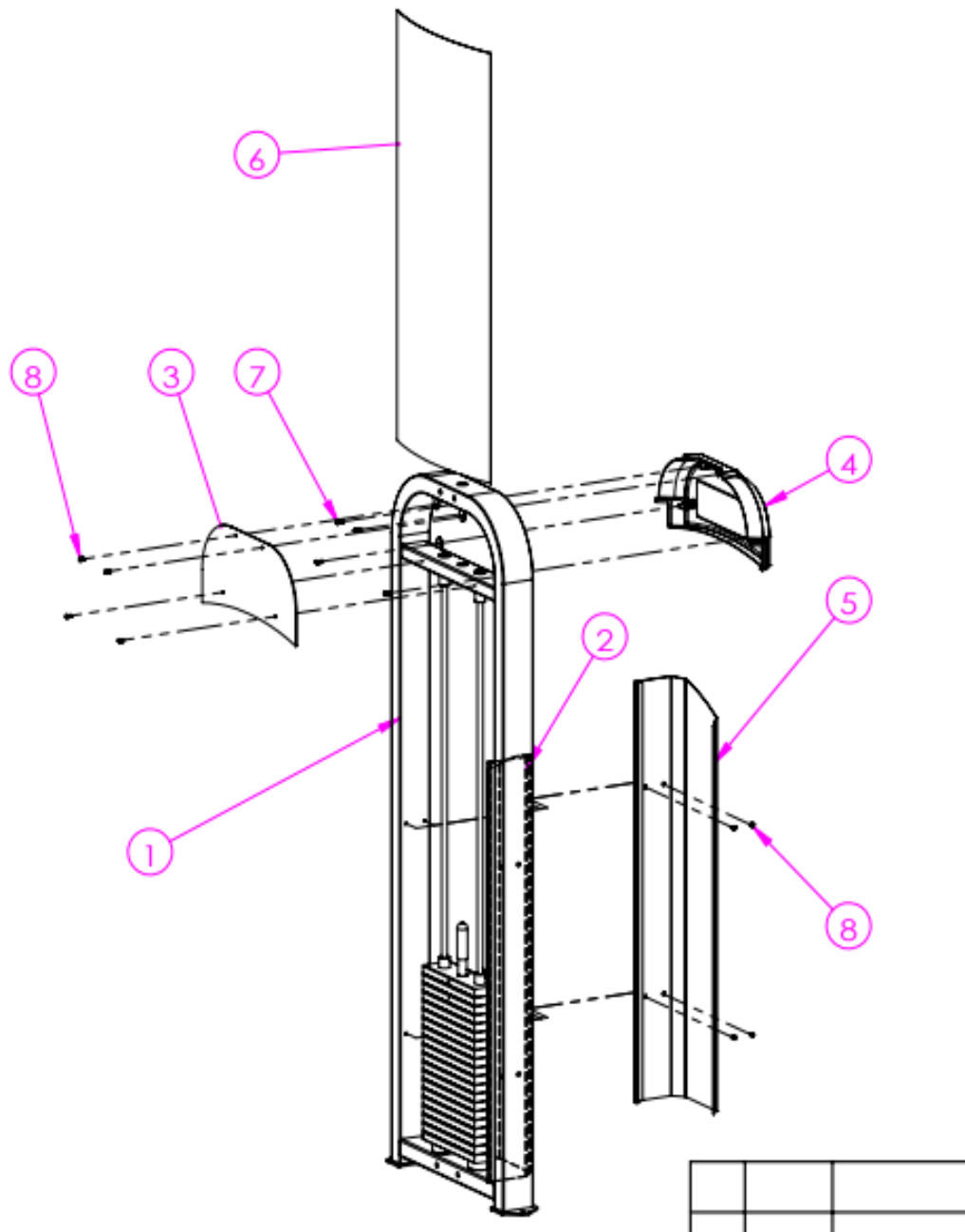
NO.	CODE	NAME	QUANTITY
1	R20-1267	Frame	1
2	R04-5874	Support Tube	1
3	R20-1276	Vertical Tube	1
4	R20-1277	Frame	1
5	M12Flat Washer	M12 Flat Washer	20
6	M12X125	Cup Head M12X125	4
7	M12 anti-loose nut	M12 anti-loose nut	10
8	M12X65	Cup Head M12X65	2
9	M12X105	Cup Head M12X105	4



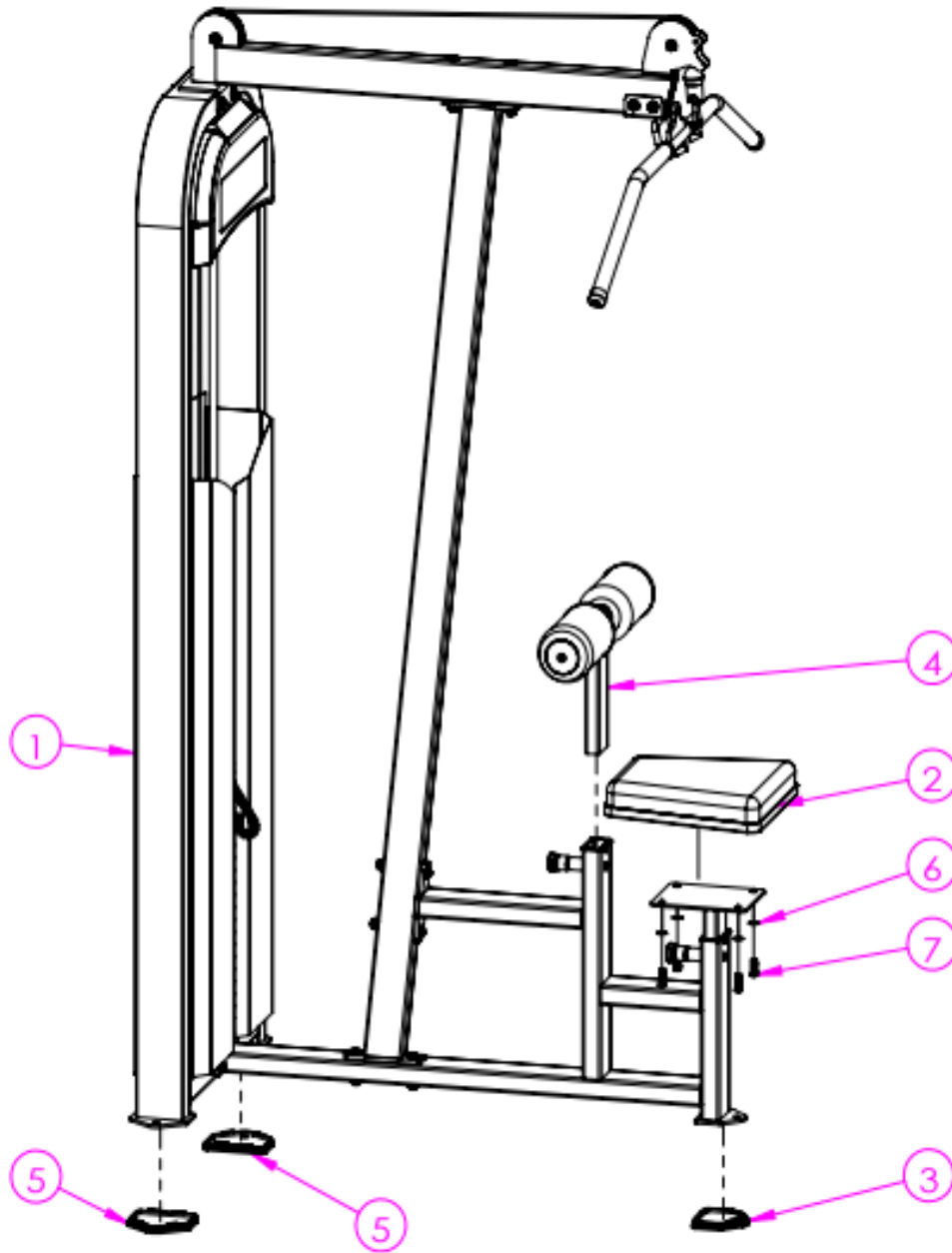
NO.	CODE	NAME	QUANTITY
1	Step 1		
2	R20-1009	20 Pieces Weight Stack	1
3	R03-1022	1.7m Guide Cod	2
4	R03-1075	86 Guide Cod Set	2
5	R06-1131	Pad	2
6	M8X40	Cup Head M8X40	2
7	30 Snap Ring	30 Snap Ring	2



NO	CODE	NAME	QUANTITY
1	Step 2		
2	R20-1064	Bar	1
3	R20-1059	Hanger	1
4	Steel Wire Rope	Steel Wire Rope	1



NO.	CODE	NAME	QUANTITY
1	Step 3		
2	R04-1136	Cover	1
3	R02-1207	Cover	1
4	R06-1261	Cover	1
5	R04-1135	Cover	1
6	R02-1413	1230 Cover	1
7	M6X16	Cup Head M6X16	4
8	M6X10	Cup Head M6X10	12



NO.	CODE	NAME	QUANTITY
1	Step 4		
2	R20-1050	Seat Cushion	1
3	R06-1034	40X80 Pad	1
4	R20-1246	Tube	1
5	R06-1046	50X100 Pad	2
6	M8Flat Washer	M8Flat Washer	4
7	Cup HeadM8X30	Cup HeadM8X30	4