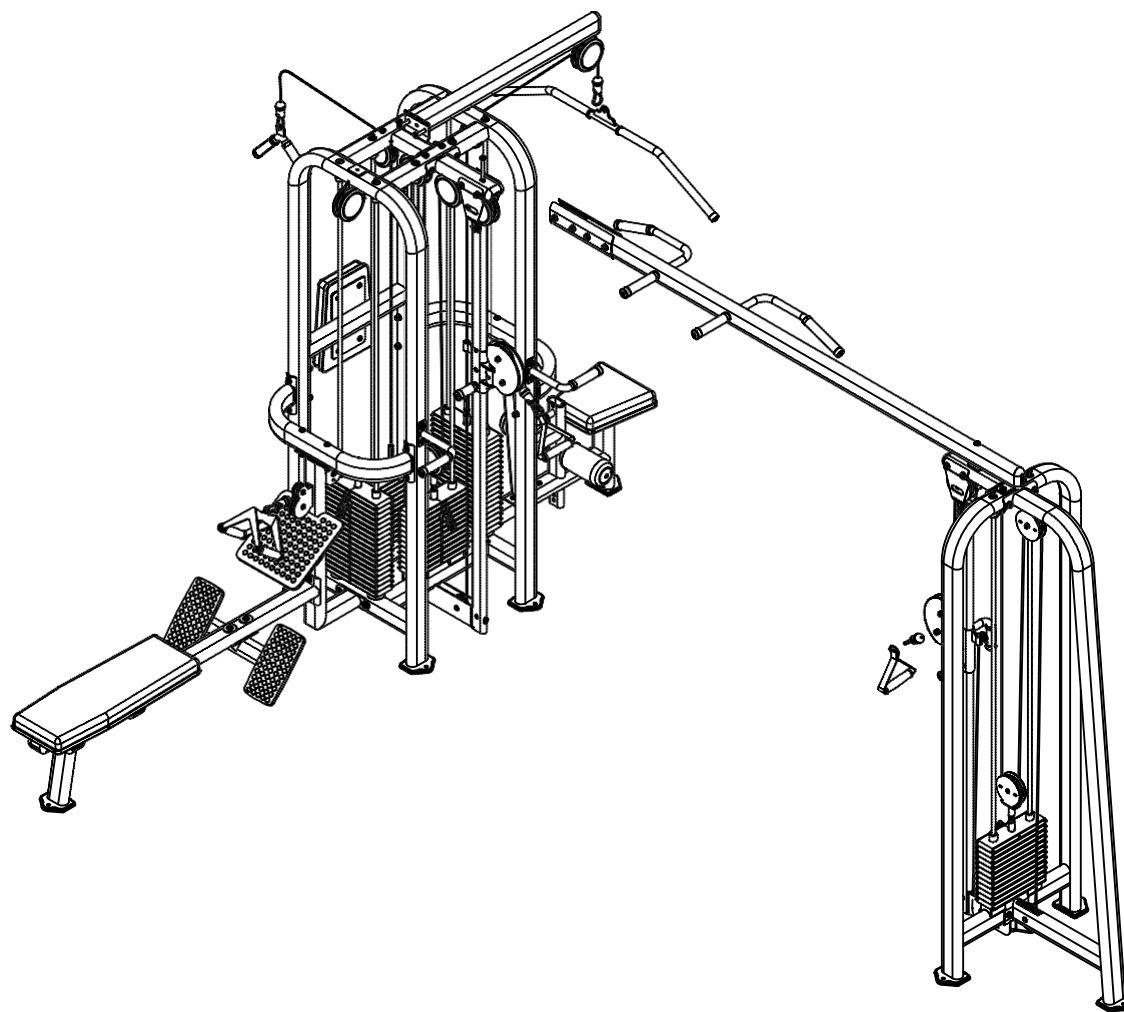
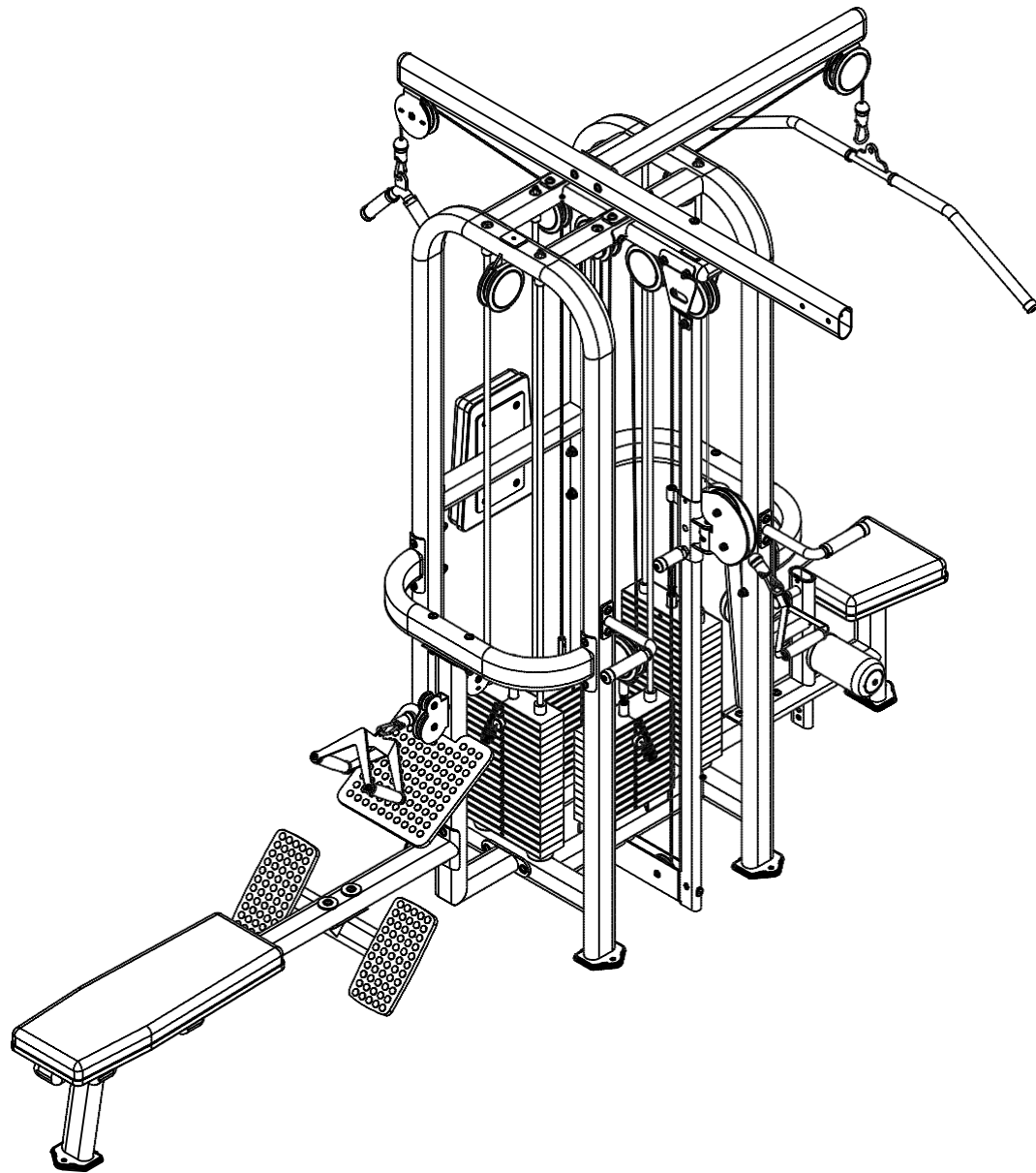
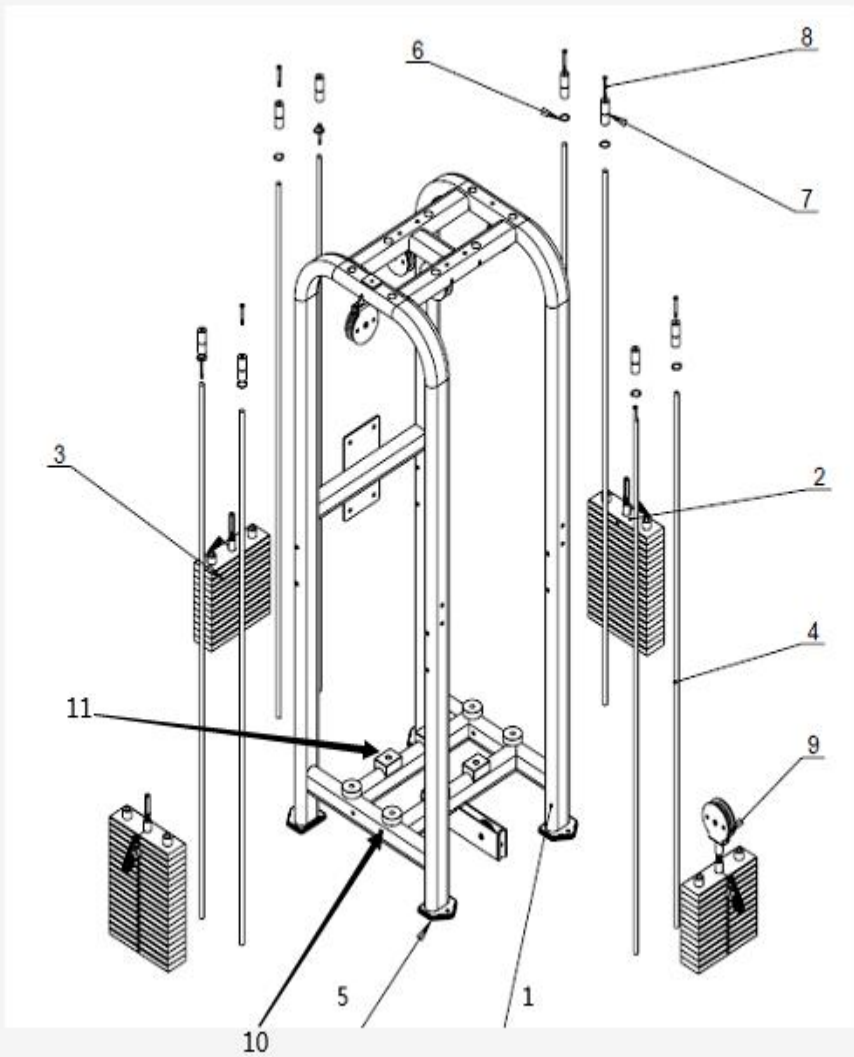


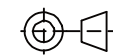
С и л о в а я с т а н ц и я 5 –
с т о р о н н я я Realleader FM-1006
И н с т р у к ц и я п о с б р о к е

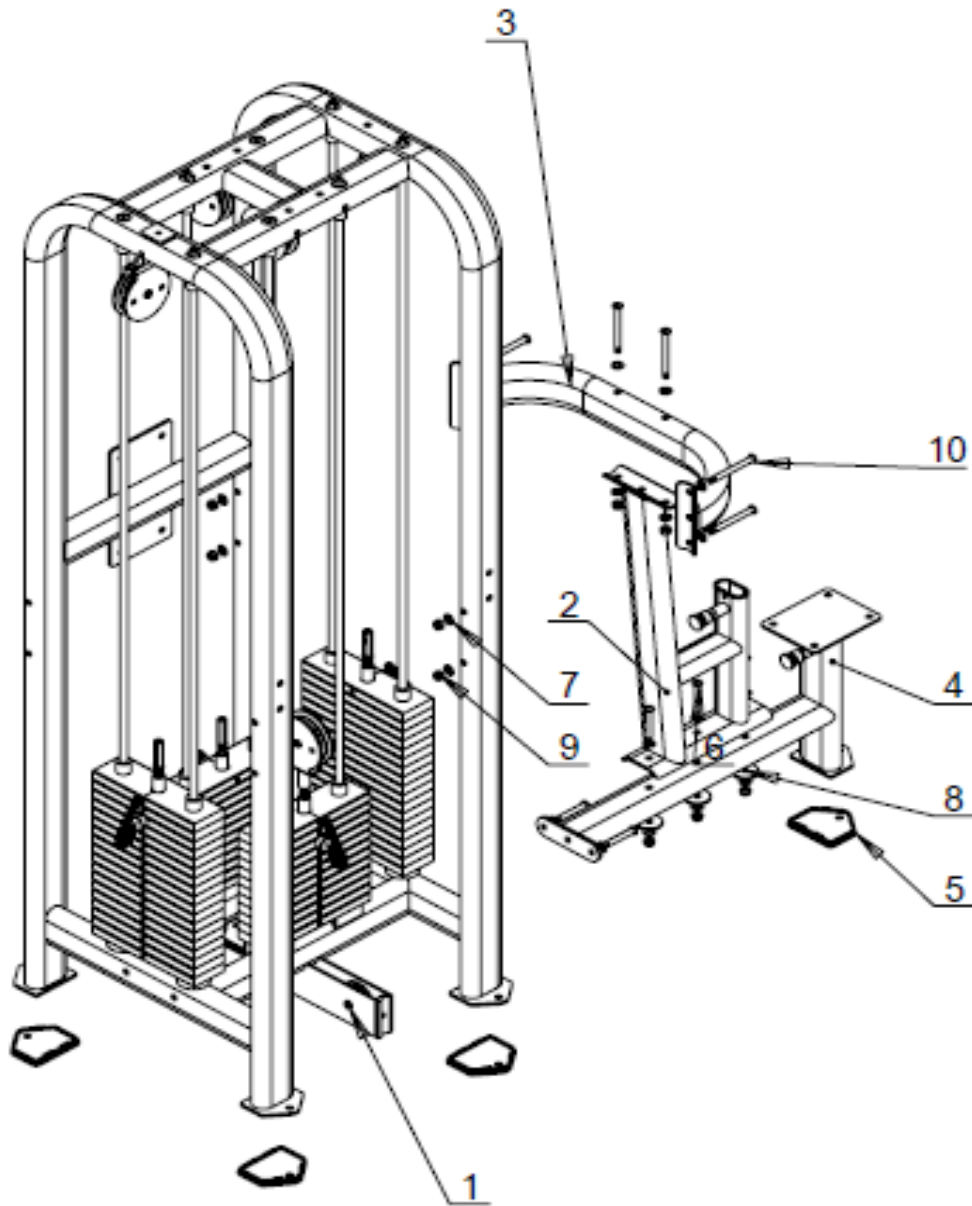






NO.	CODE	NAME	QUANTITY
1	R20-1126	frame	1
2	R20-1006	18 pieces weight plates	2
3	R20-1036	12 pieces weight plates	2
4	R03-1028	2.04m guide bar	8
5	R06-1046	50X100 square pad	4
6	30 circlip	φ30 circlip	8
7	R03-1075	86 guide bar set	8
8	cup headM8X70	cup headM8X70	8
9	R20-1140	hanging box set	1
10	R06-1131	round pad	4
11	R06-1185	square pad	4

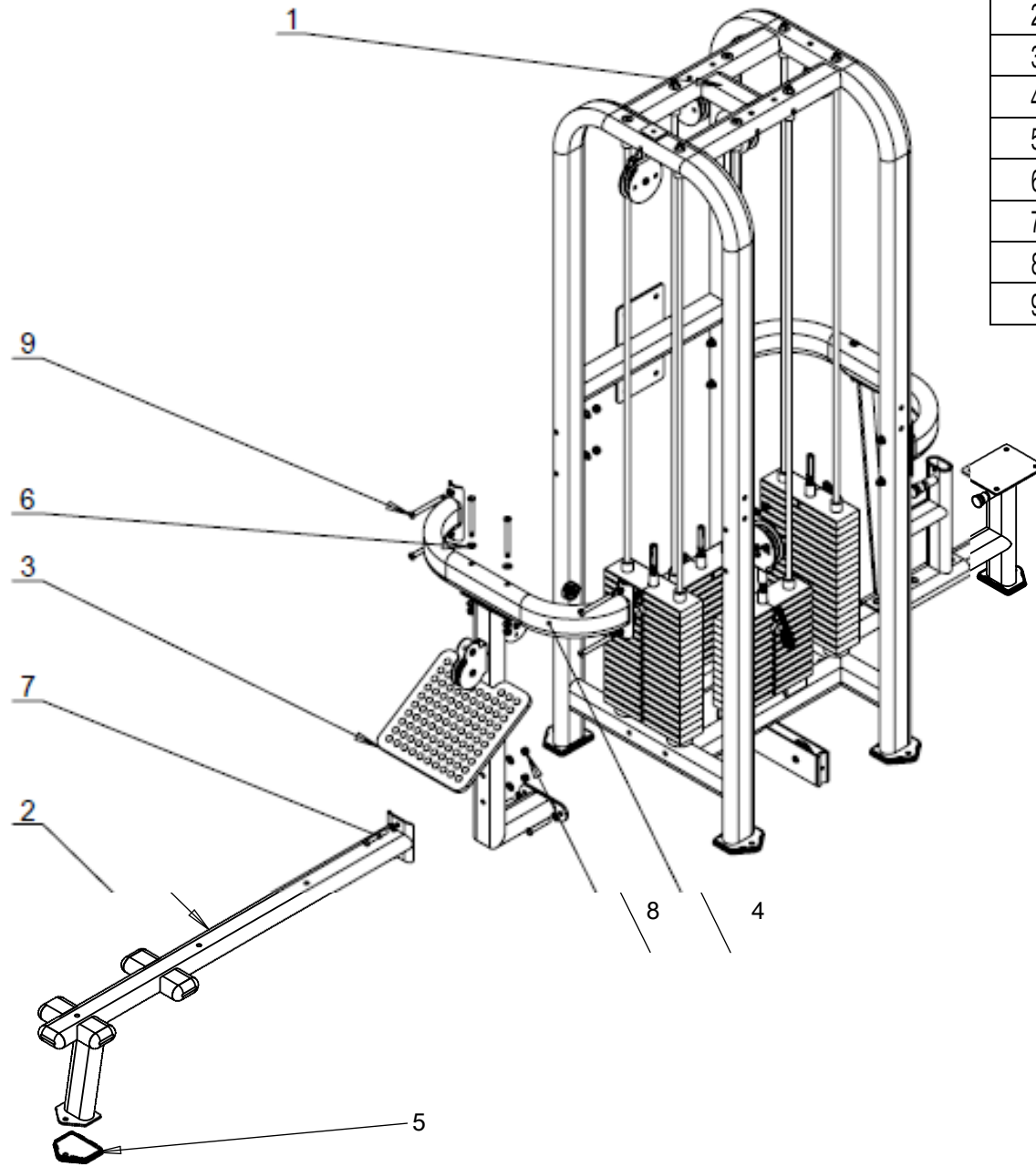


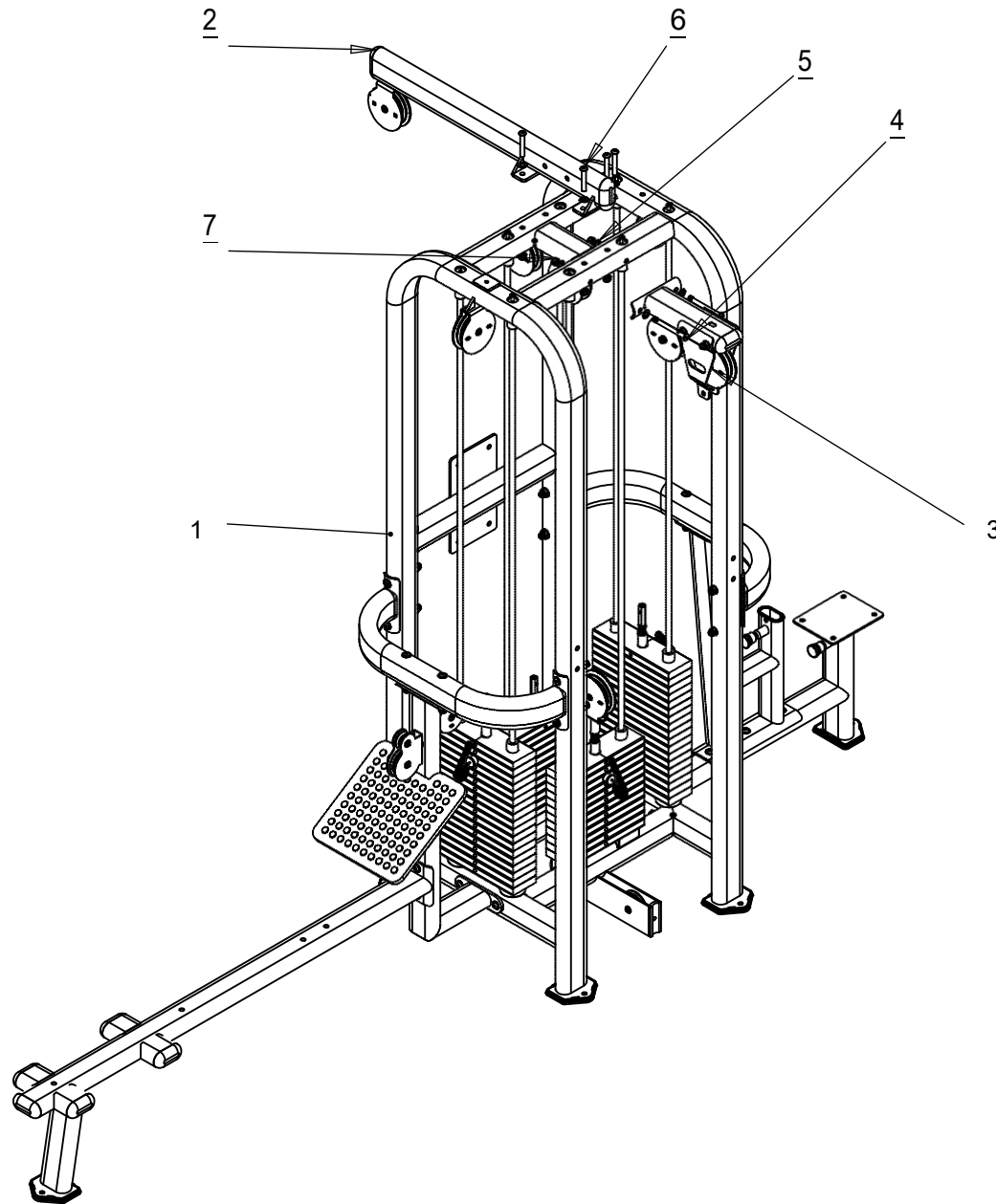


NO.	CODE	NAME	QUANTITY
1	FM-1006 step 1	FM-1006 step 1	1
2	R20-1135	High adjustment tube	1
3	R04-6014	High stretch bending brace	1
4	R20-1128	High stretch seat frame	1
5	R06-1046	50X100 square pad	1
6	cup head M12X75	cup head M12X75	5
7	M12 flat washer	M12 flat washer	22
8	R02-1386	55 reinforcing pad	3
9	M12 anti-loose nut	M12 anti-loose nut	11
10	cup head M12X125	cup head M12X125	6



NO.	CODE	NAME	QUANTITY
1	FM-1006 step 2	FM-1006 step 2	1
2	R20-1127	Low-Position RACK	1
3	R20-1133	Low-Position frame	1
4	R04-6014	High stretch bending brace	1
5	R06-1046	50X100 square pad	1
6	M12 flat washer	M12 flat washer	20
7	cup head M12X75	cup head M12X75	4
8	M12 anti-loose nut	M12 anti-loose nut	10
9	cup head M12X125	cup head M12X125	6

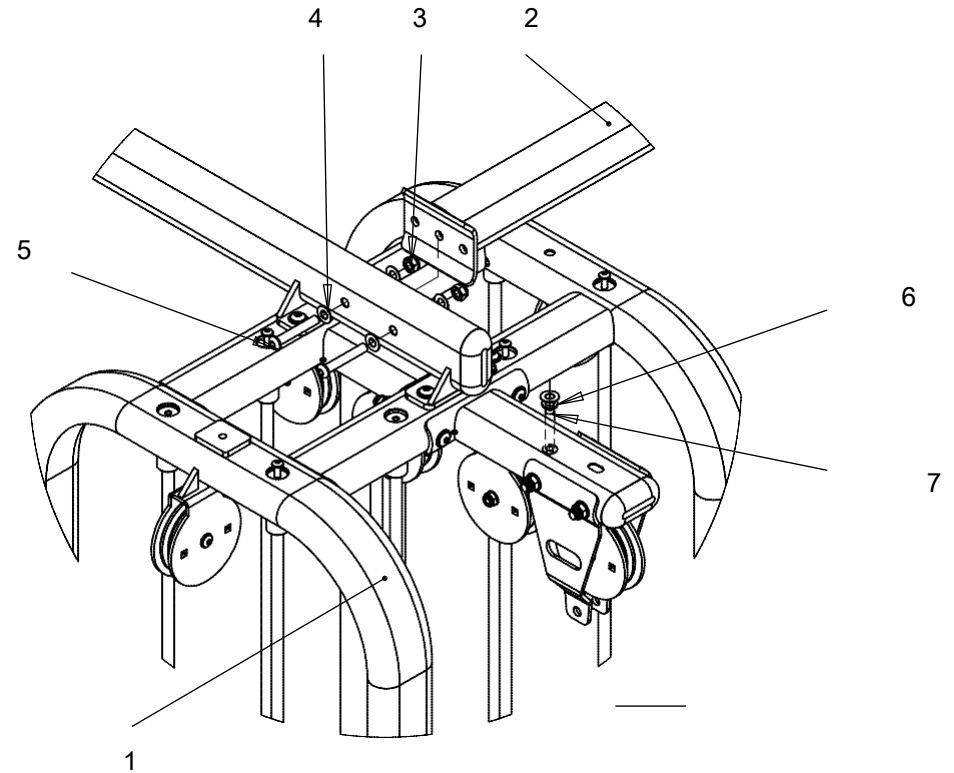
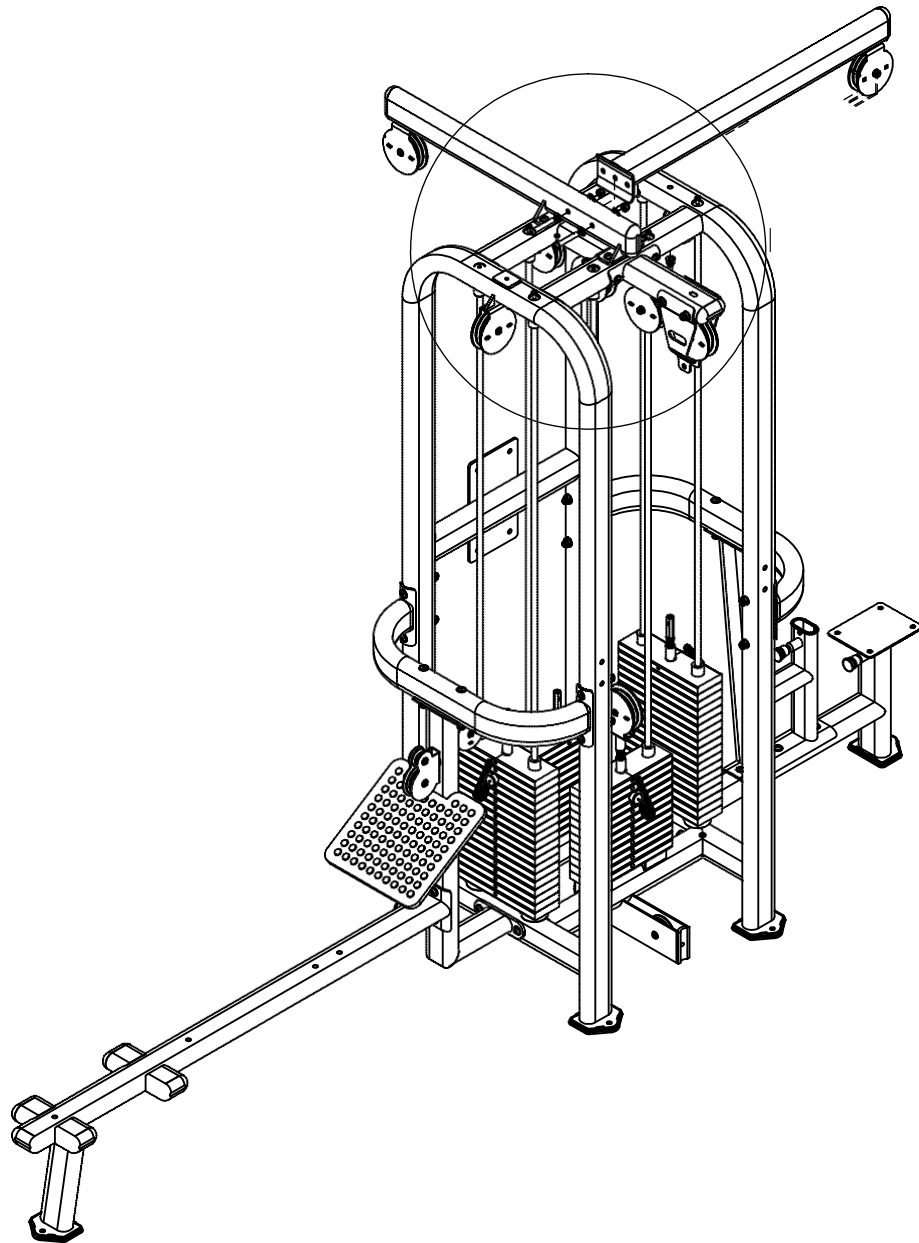


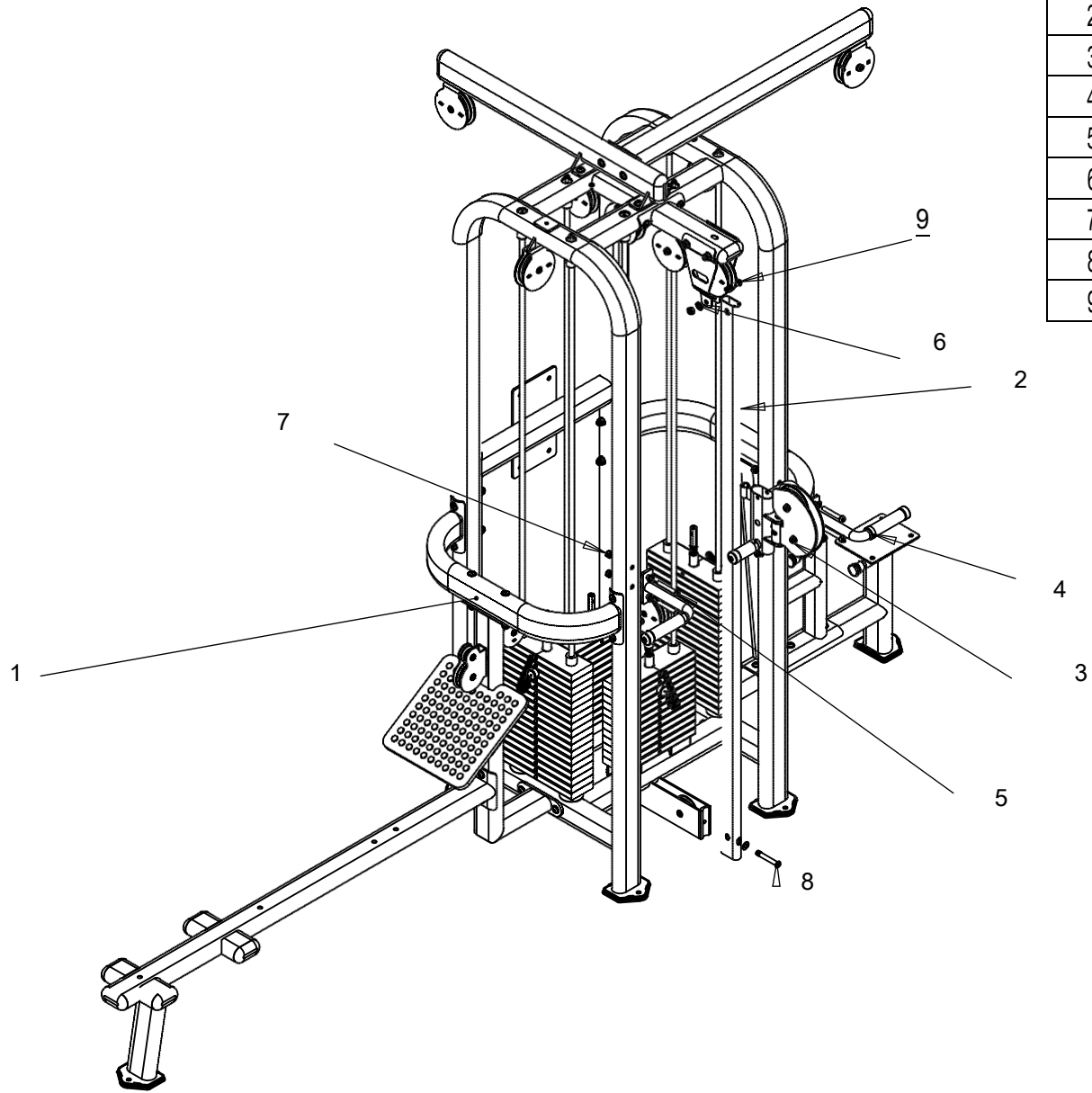


NO.	CODE	NAME	QUANTITY
1	FM-1006 Step3	FM-1006 Step3	1
2	R20-1130	Triceps top rack	1
3	R20-1131	Biceps top rack	1
4	cup head M12X125	cup head M12X125	2
5	M12 flat washer	M12 flat washer	12
6	cup head M12X75	cup head M12X75	4
7	M12 anti-loose nut	M12 anti-loose nut	6

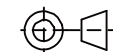


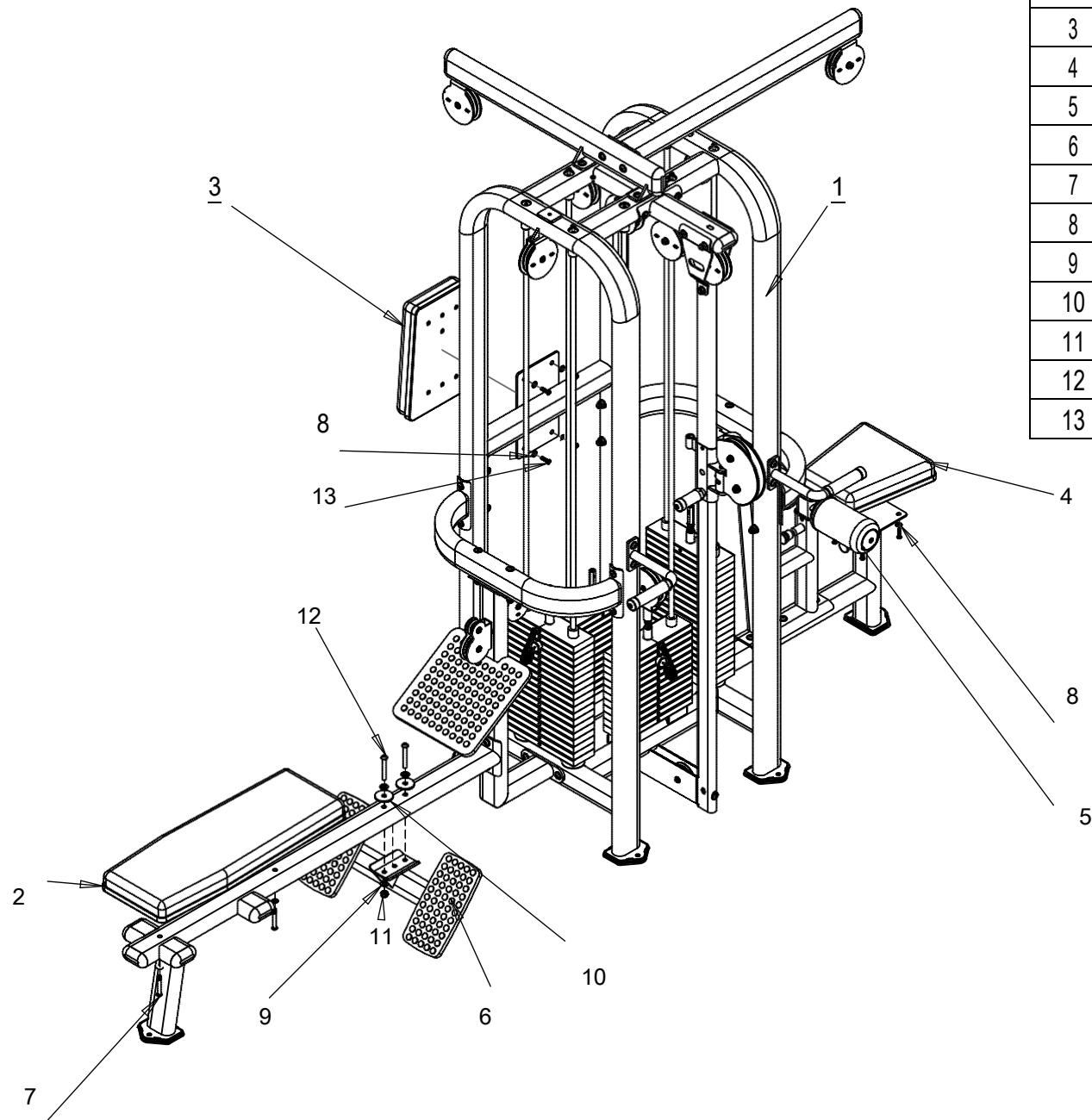
NO.	CODE	NAME	QUANTITY
1	FM-1006 Step 4	FM-1006 Step 4	1
2	R20-1129	Lat pulldown rack	1
3	M12 anti-loose nut	M12 anti-loose nut	2
4	M12 flat washer	M12 flat washer	5
5	cup head M12X75	cup head M12X75	2
6	M12 spring washer	M12 spring washer	1
7	cup head M12X60	cup head M12X60	1





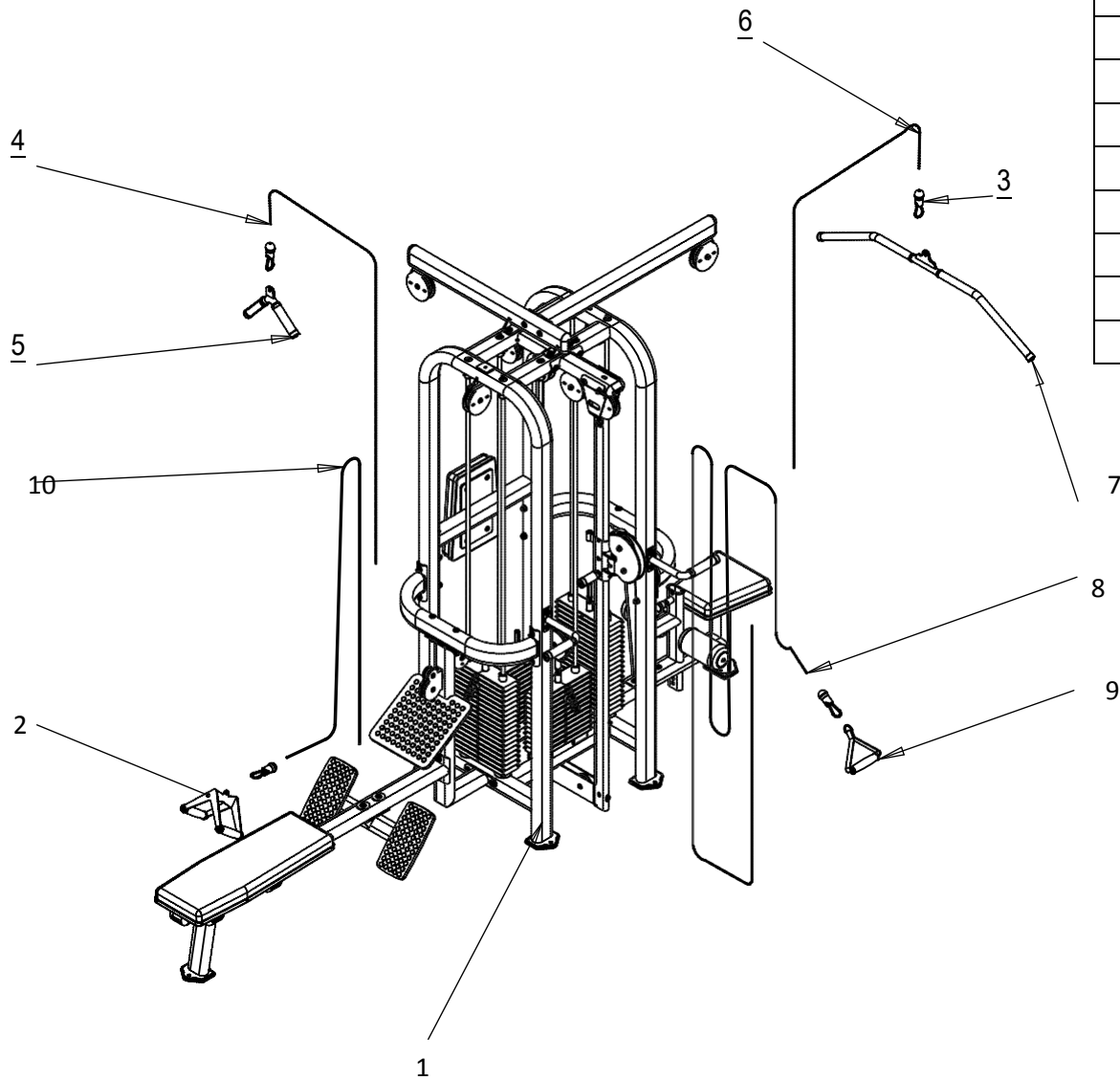
NO.	CODE	NAME	QUANTITY
1	FM-1006 Step5	FM-1006 Step5	1
2	R01-1081	M4 5-stack electroplating tube	1
3	R20-1142	Regulating box(left)	1
4	R20-1132	bar	2
5	cup head M12X75	cup head M12X75	4
6	M12 flat washer	M12 flat washer	11
7	M12 anti-loose nut	M12 anti-loose nut	5
8	cup head M12X85	cup head M12X85	1
9	cup head M12X55	cup head M12X55	1



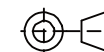


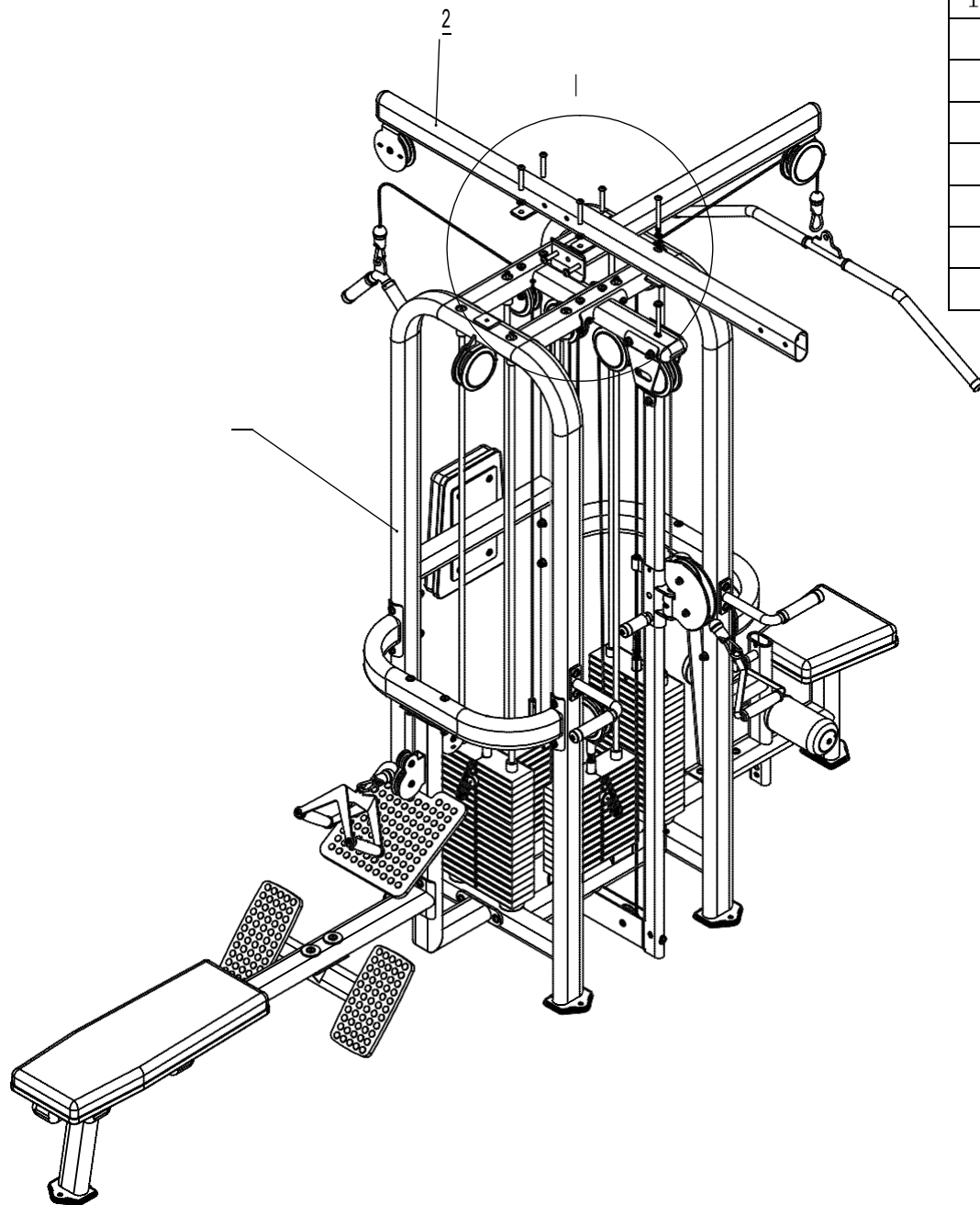
NO.	CODE	NAME	QUANTITY
1	FM-1006 step 6	FM-1006 step 6	1
2	R20-1048	Low-Position cushion	1
3	R20-1072	Long cushion	1
4	R20-1050	cushion	1
5	R20-1134	lat pulldown roller	1
6	R20-1136	Low-Row foot pad	1
7	cup head M10X70	cup head M10X70	2
8	M10 flat washer	M10 flat washer	10
9	M12 flat washer	M12 flat washer	4
10	R02-1386	55 reinforcing pad	2
11	M12 anti-loose nut	M12 anti-loose nut	2
12	cup head M12X80	cup head M12X80	2
13	cup head M8X30	cup head M8X30	8



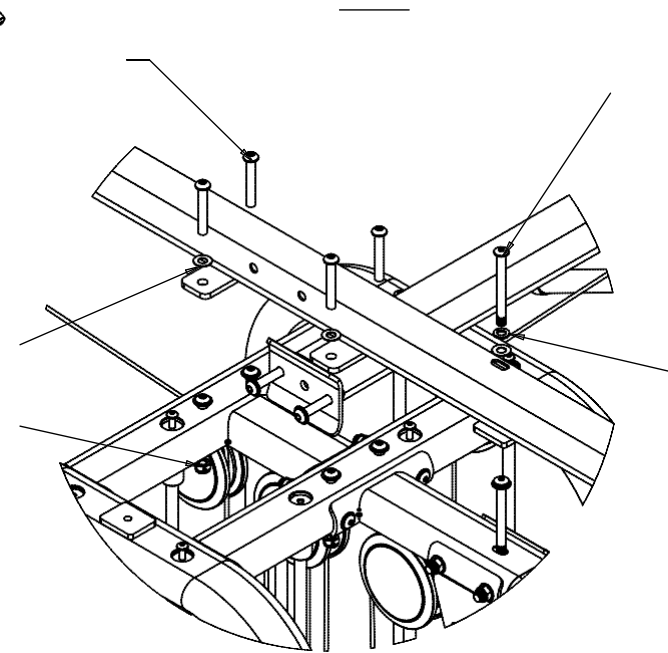


NO.	CODE	NAME	QUANTITY
1	FM-1006 step 7	FM-1006 step 7	1
2	R20-1038	Triangle hand	1
3	R20-1059	Flat mouth safety assembly	4
4	wire rope 2	Biceps wire rope L=2450	1
5	R20-1037	V-Bar	1
6	M5x4	wire rope L=2450	1
7	R20-1064	lat pulldown handle	1
8	wire rope 4	Cable crossover wire rope L=8200	1
9	R12-1002	Bar	1
10	wire rope 1	Low-Position wire rope L=3400	1

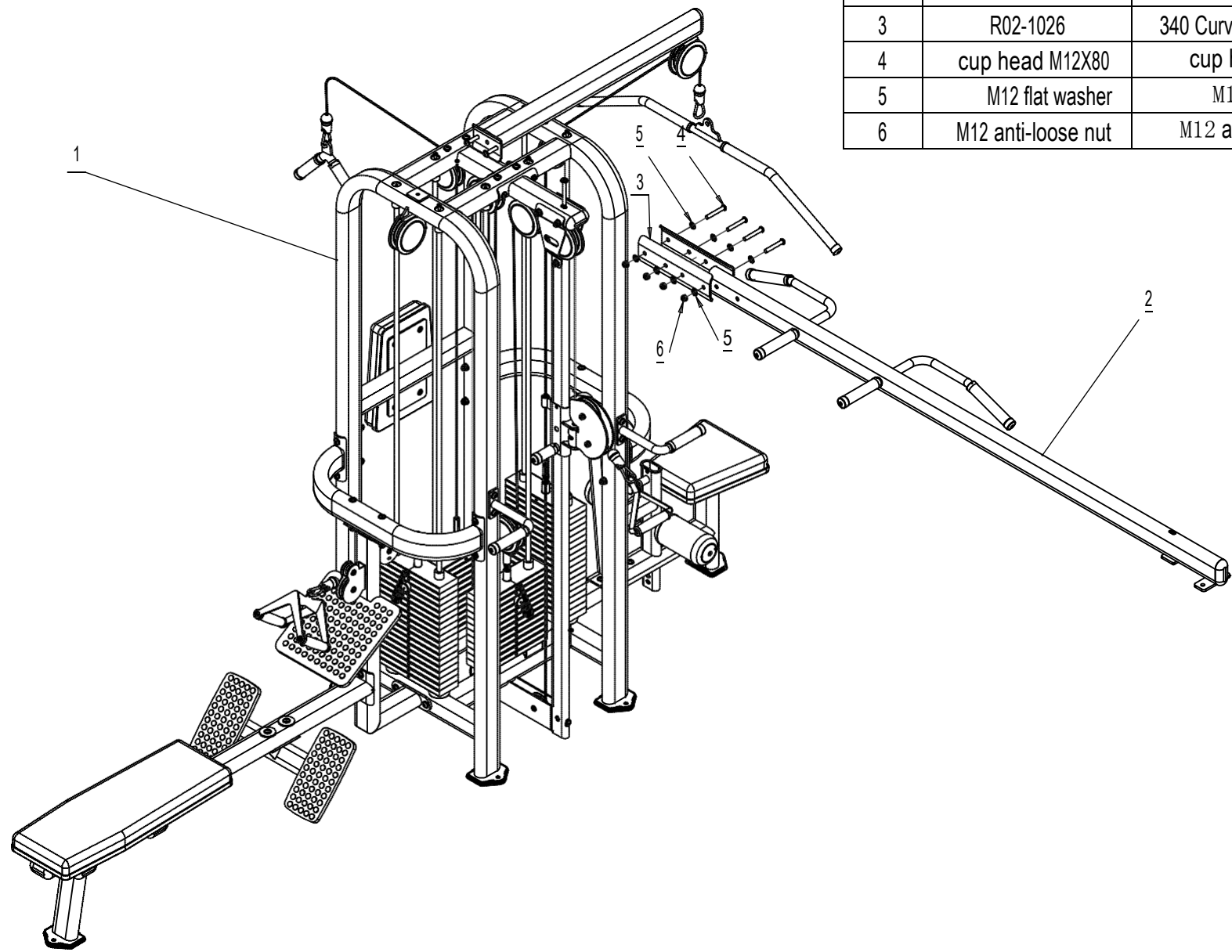


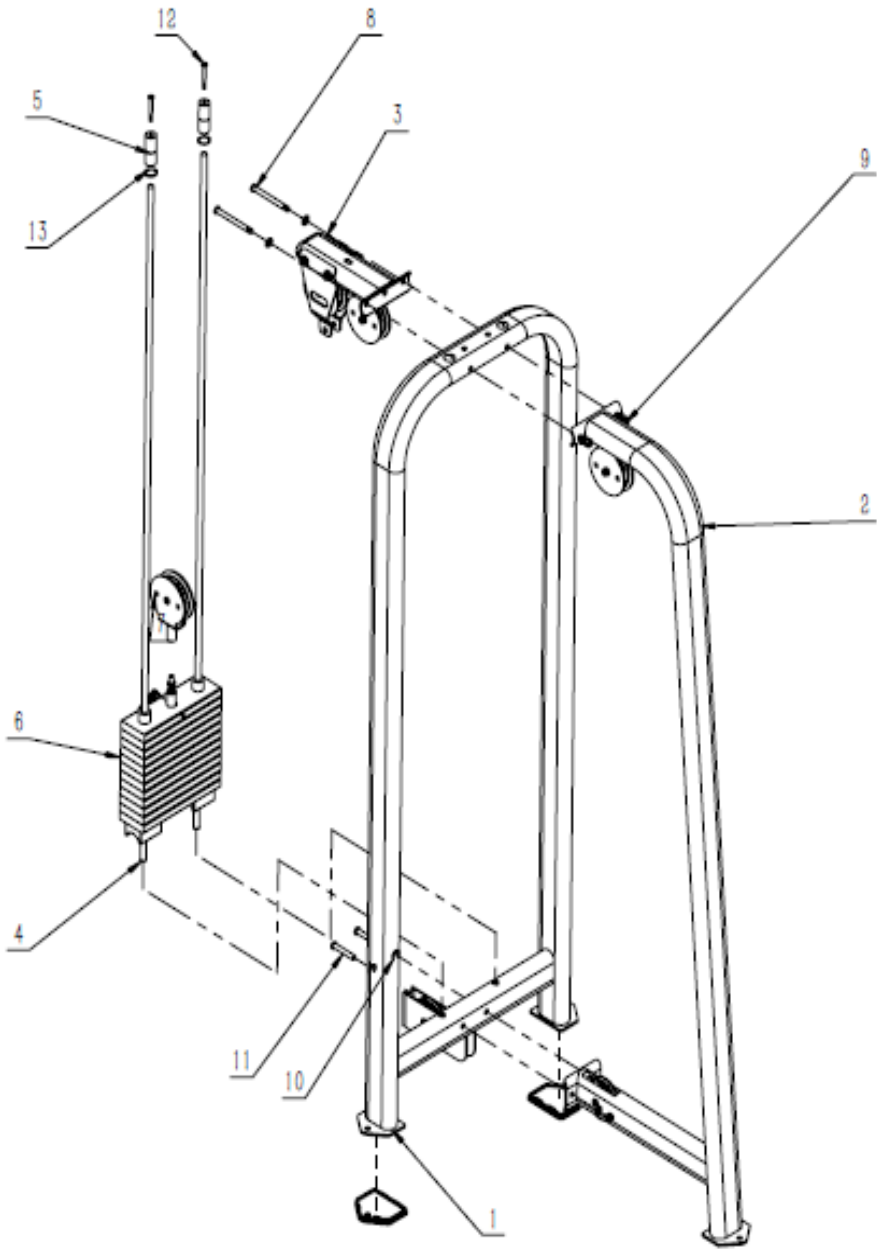


ITEM	CODE	NAME	QUANTITY
1	FM-1006 step8	FM-1006 step8	1
2	R20-1043	Triceps top rack	1
3	M12 flat washer	M12 flat washer	9
4	M12X75	cup head M12X75	4
5	M12 anti-loose nut	M12 anti-loose nut	4
6	M12 flat washer	M12 flat washer	1
7	cup head M12X115	cup head M12X115	1

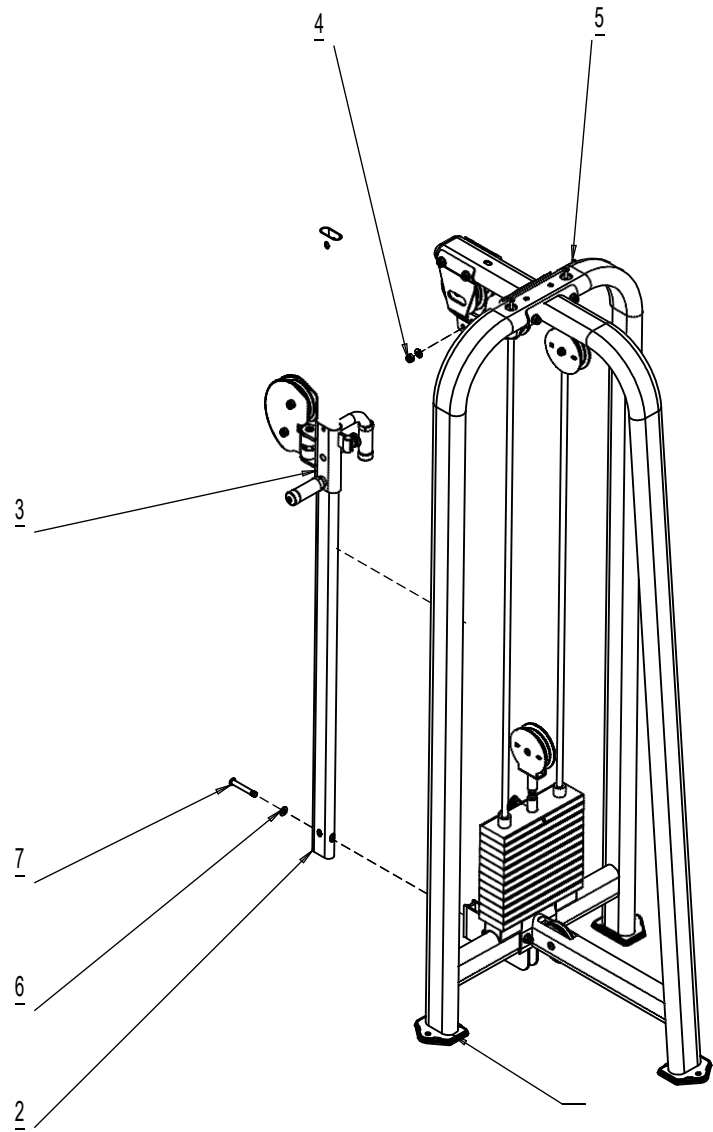


ITEM	CODE	NAME	QUANTITY
1	FM-1006 step9	FM-1006 step9	1
2	R20-1144	Beam	1
3	R02-1026	340 Curved connecting board	2
4	cup head M12X80	cup head M12X80	4
5	M12 flat washer	M12 flat washer	8
6	M12 anti-loose nut	M12 anti-loose nut	4





ITEM	CODE	NAME	QUANTITY
1	R20-1045	cable crossover frame	1
2	R20-1147	frame	1
3	R20-1046	bicep brace	1
4	R03-1028	2.04M guide bar	2
5	R03-1075	86 guide bar set	2
6	R20-1036	12 pieces	1
7	R20-1140	hanging box set	1
8	cup head M12X130	cup head M12X130	2
9	M12 anti-loose nut	M12 anti-loose nut	4
10	M12 flat washer	M12 flat washer	8
11	cup head M12X75	cup head M12X75	2
12	cup head M8X75	cup headM8X75	2
13	30 Circlip	30 Circlip	2
14	R06-1046	50X100 square pad	3



ITEM	CODE	NAME	QUANTITY
1	FM-1006 step 10	FM-1006 step10	1
2	R01-1081	M4 5-stack electroplating tube	1
3	R20-1127	Regulating box(right)	1
4	M12 anti-loose nut	M12 anti-loose nut	1
5	cup head M12X60	cup head M12X60	1
6	M12 flat washer	M12 flat washer	3
7	cup head M12X85	cup head M12X85	1