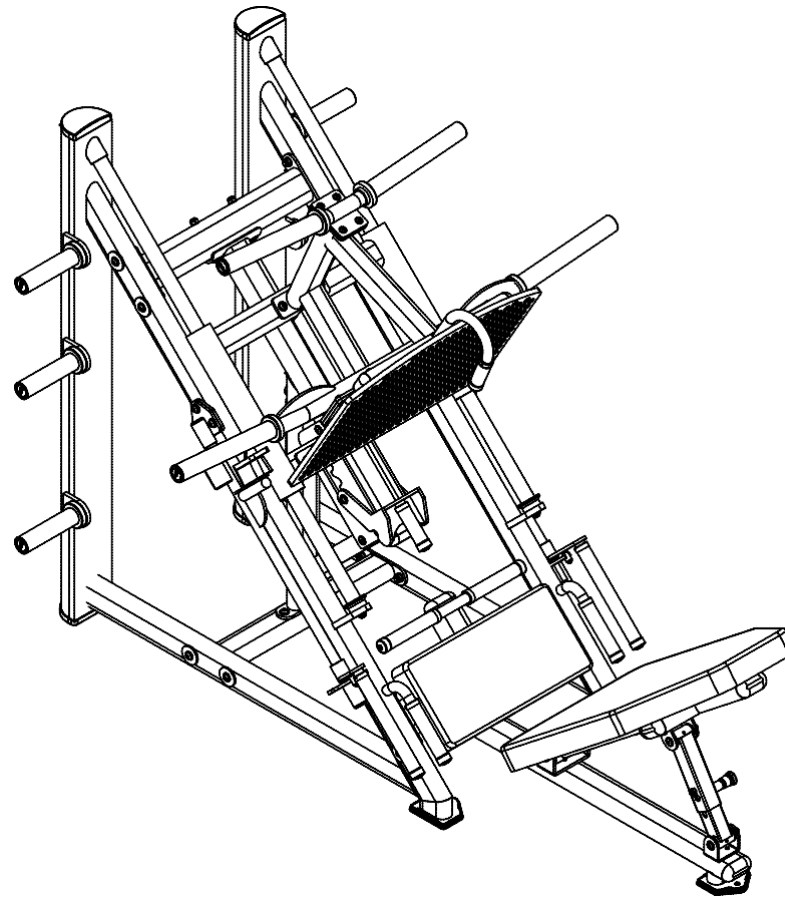
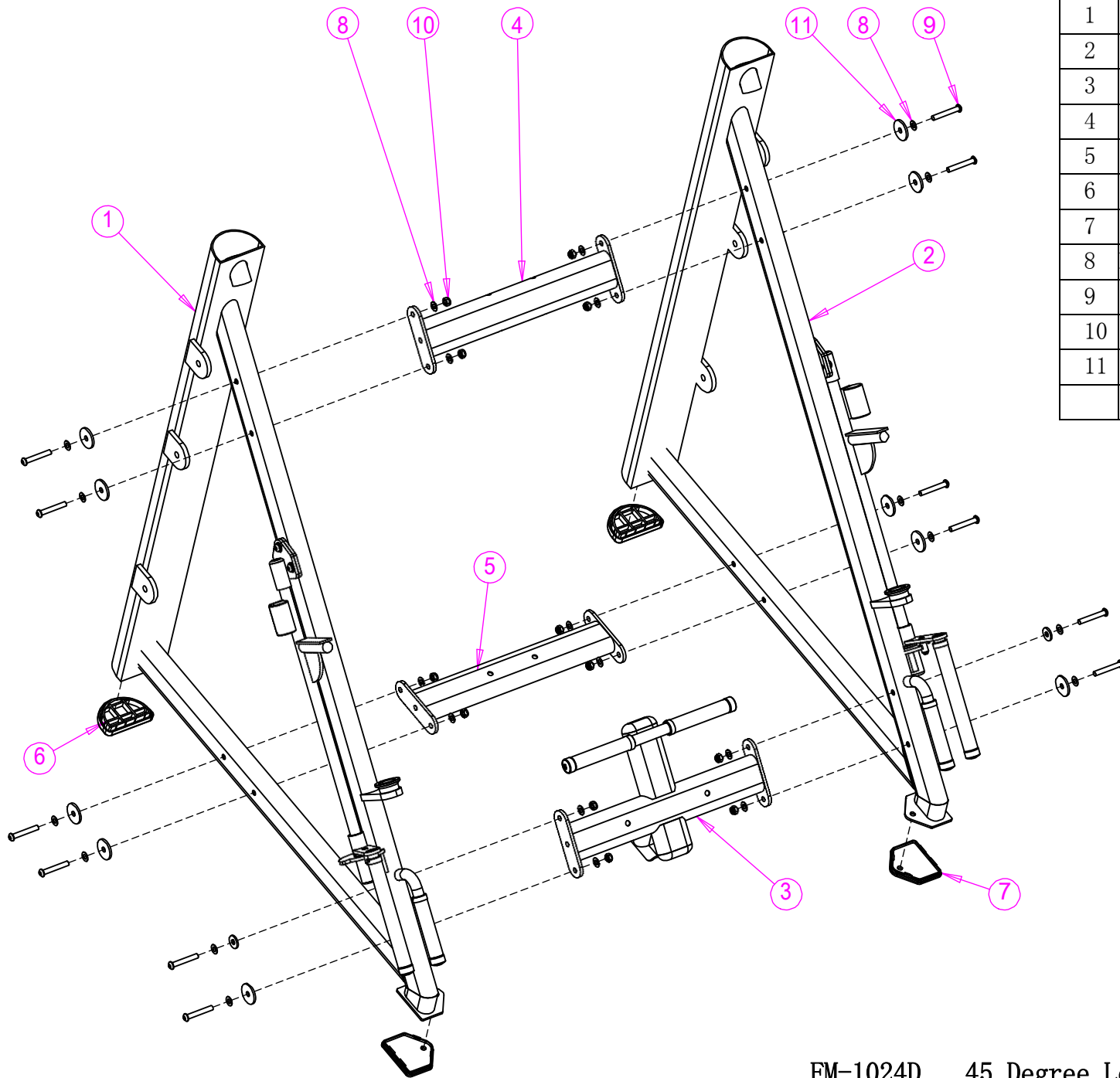


FM-1024D

45 Degree Leg Press

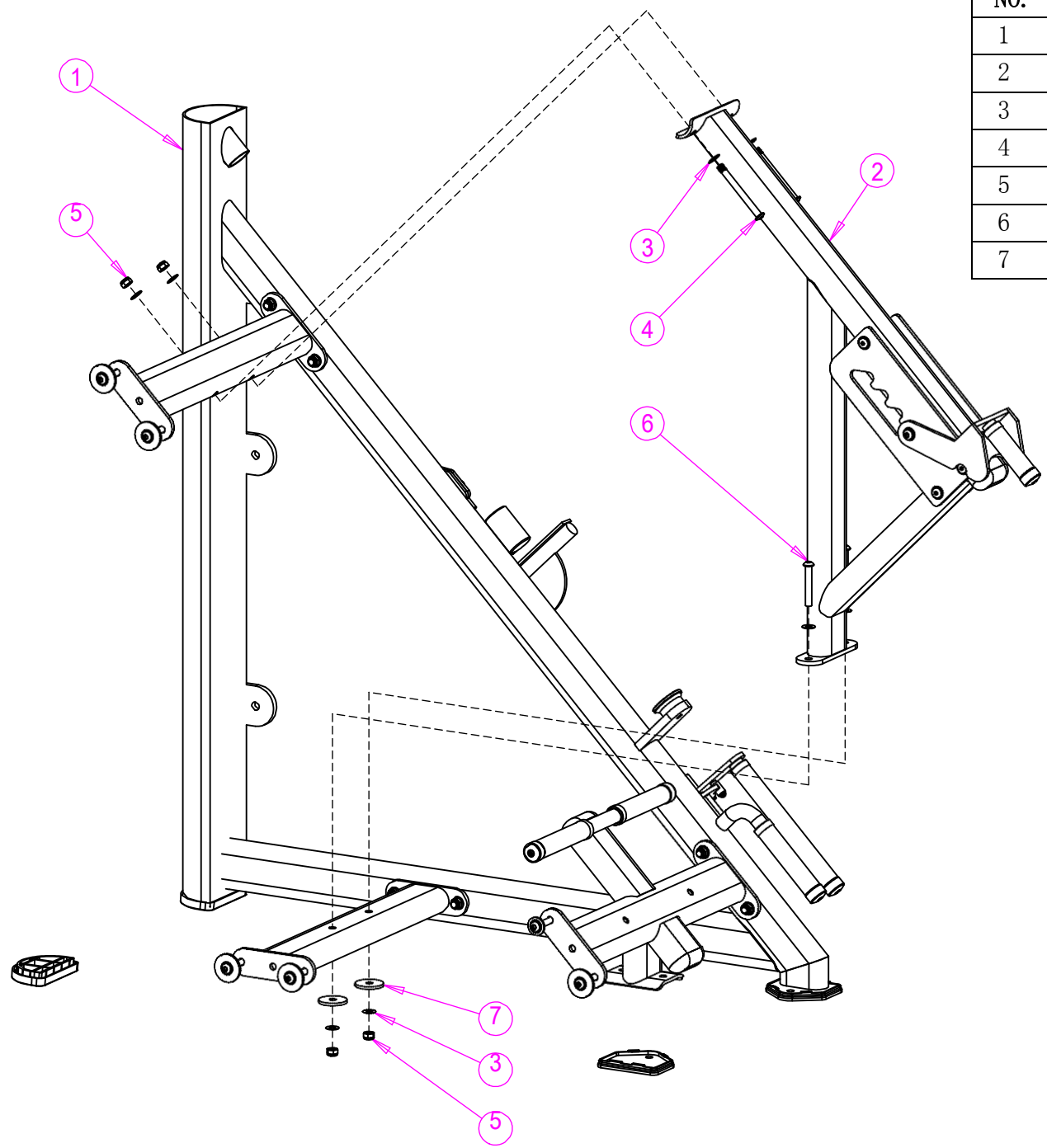
Installation instruction

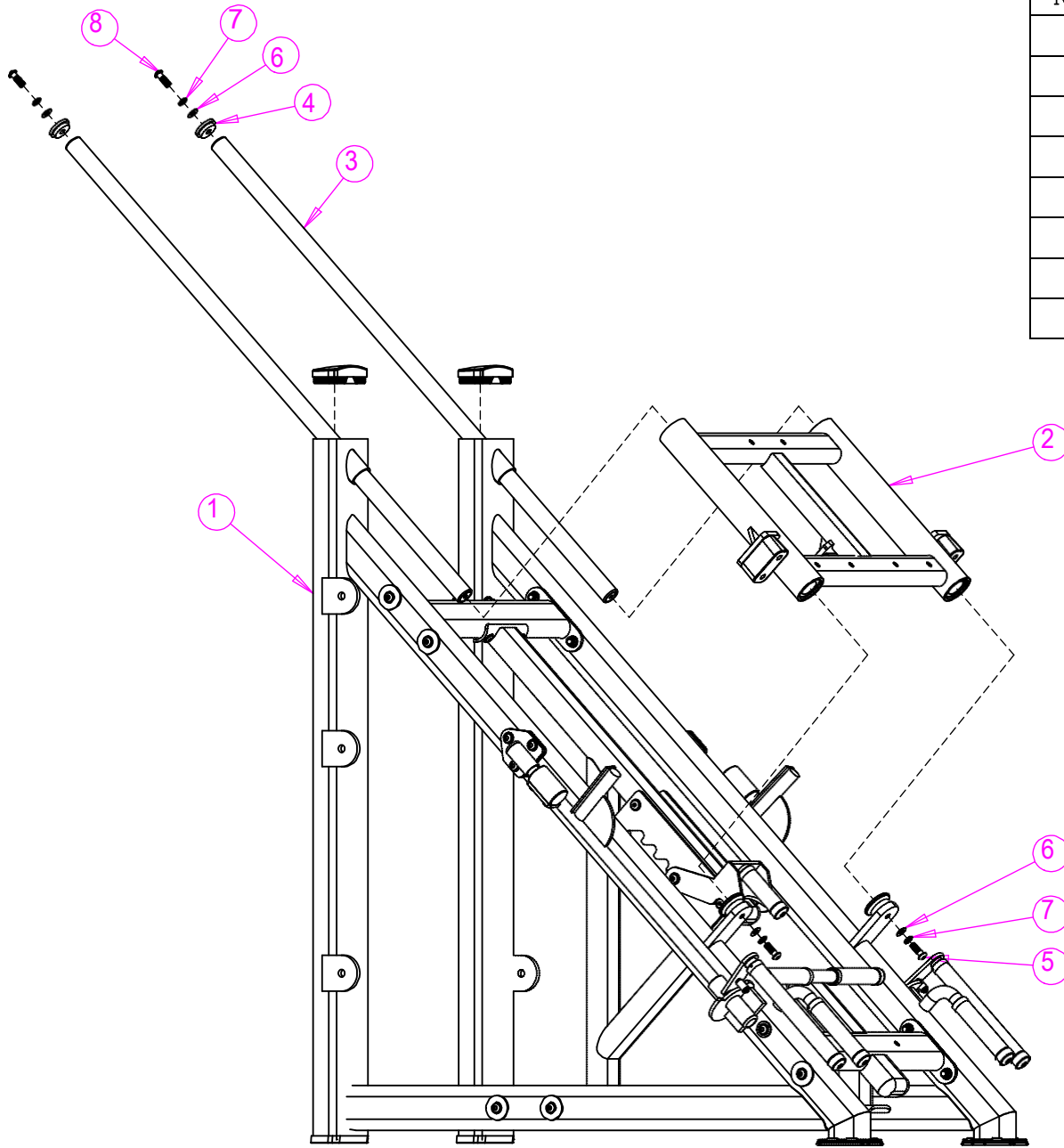




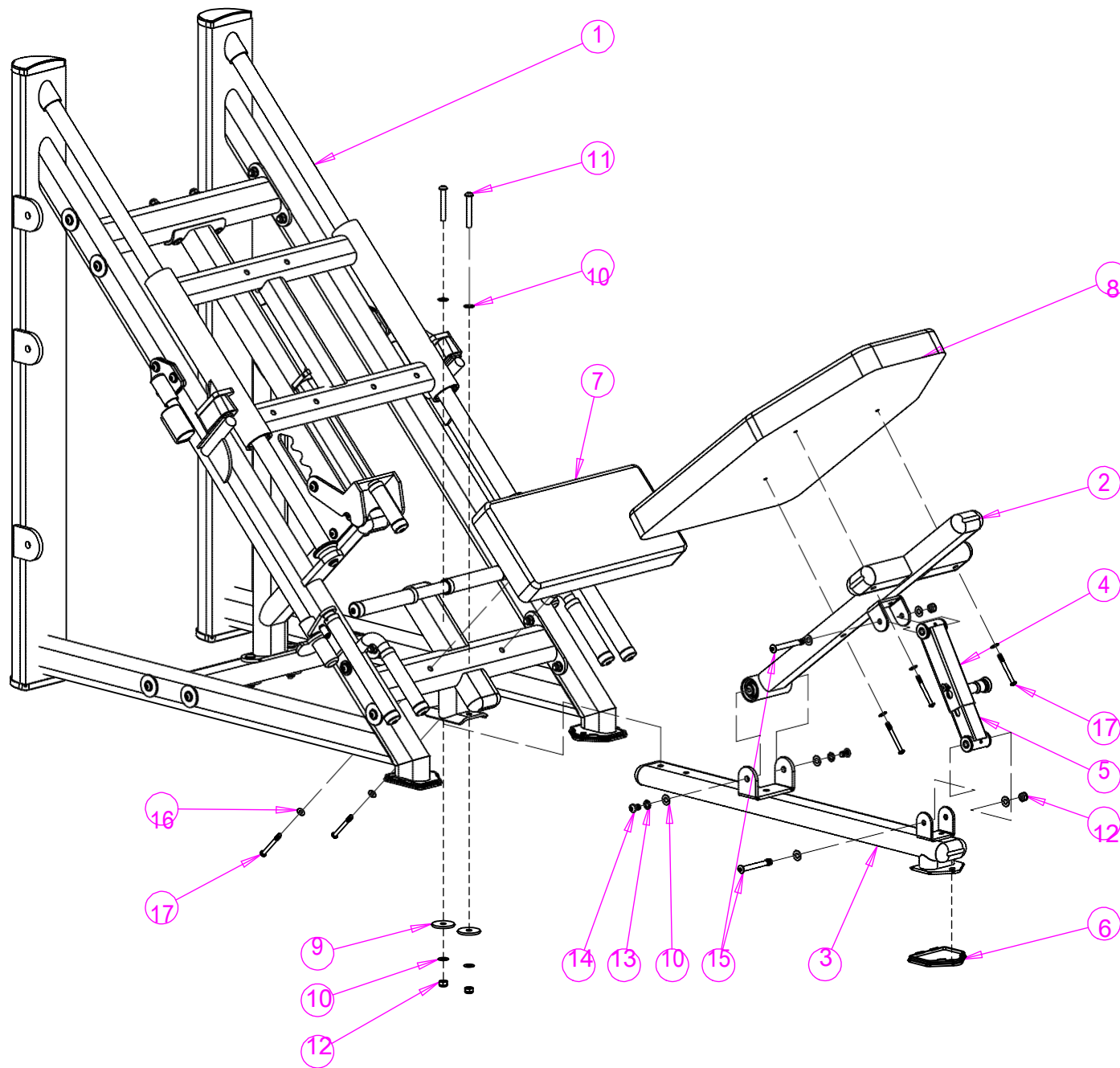
NO.	CODE	NAME	QUANTITY
1	R20-1092	Frame (Left)	1
2	R20-1093	Frame (Right)	1
3	R02-1095	Seat frame	1
4	R04-5674	Connection tube	1
5	R04-5679	Connection tube	1
6	R06-1058	D Foot	2
7	R06-1046	50X100Square Pad	2
8	M12 flat washer	M12 flat washer	24
9	M12X80	Cup head M12X80	12
10	M12 anti-loose nut	M12 anti-loose nut	12
11	55 flat washer	55 flat washer	10

NO.	CODE	NAME	QUANTITY
1	Step 1		1
2	R20-1096	Protection Tube	1
3	M12 flat washer	M12 flat washer	8
4	M12X125	Cup head M12X125	2
5	M12 anti-loose nut	M12 anti-loose nut	4
6	M12X80	Cup head M12X80	2
7	55 flat washer	55 flat washer	2



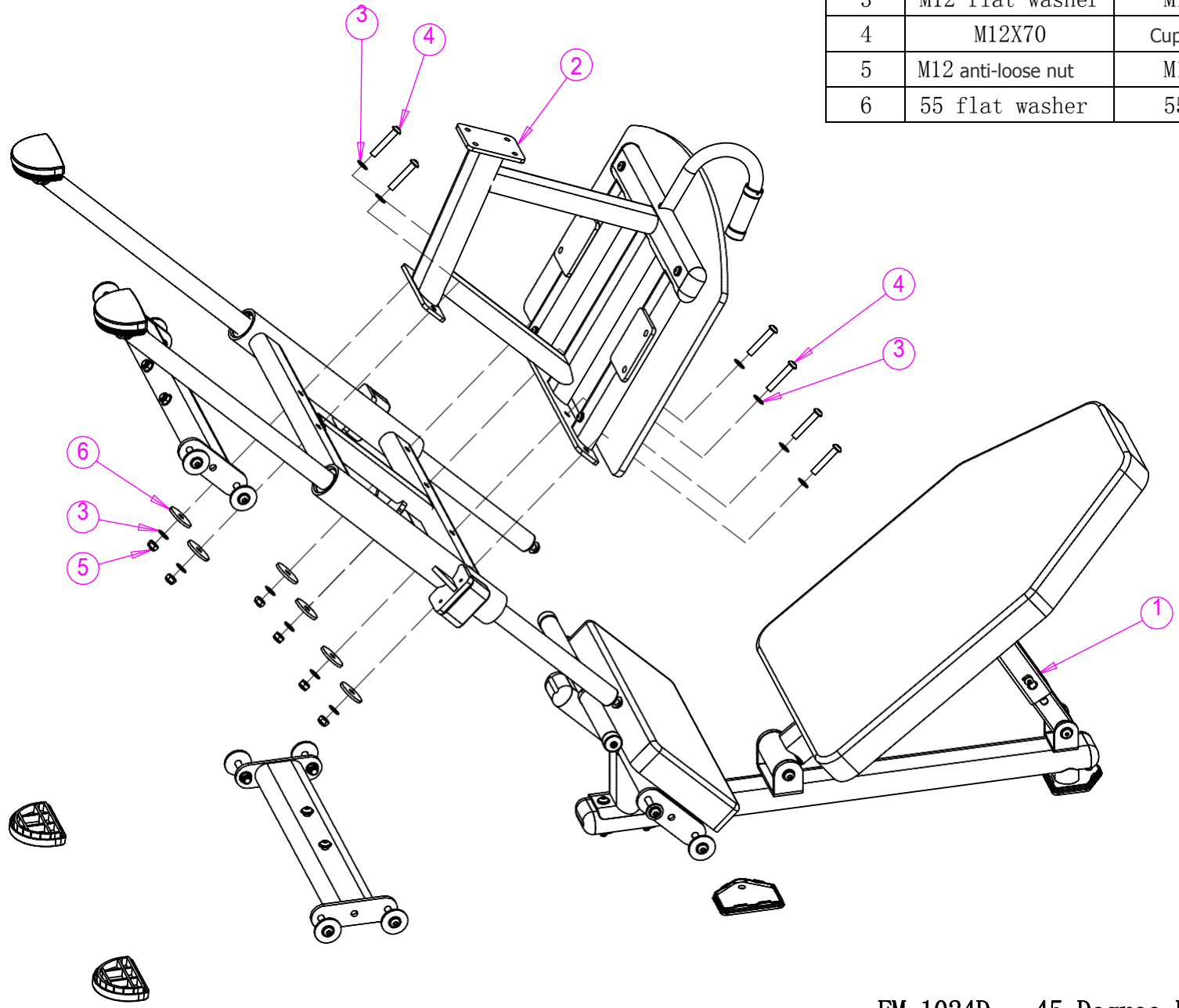


NO.	CODE	NAME	QUANTITY
1	Step 2	Step 2	1
2	R20-1094	Frame	1
3	R03-1115	Φ40x1430 Bearing	2
4	R05-1195	End Cover	2
5	R06-1057	D Cover	2
6	M12 flat washer	M12 flat washer	4
7	M12 spring washer	M12 spring washer	4
8	M12X35	Cup head M12X35	4

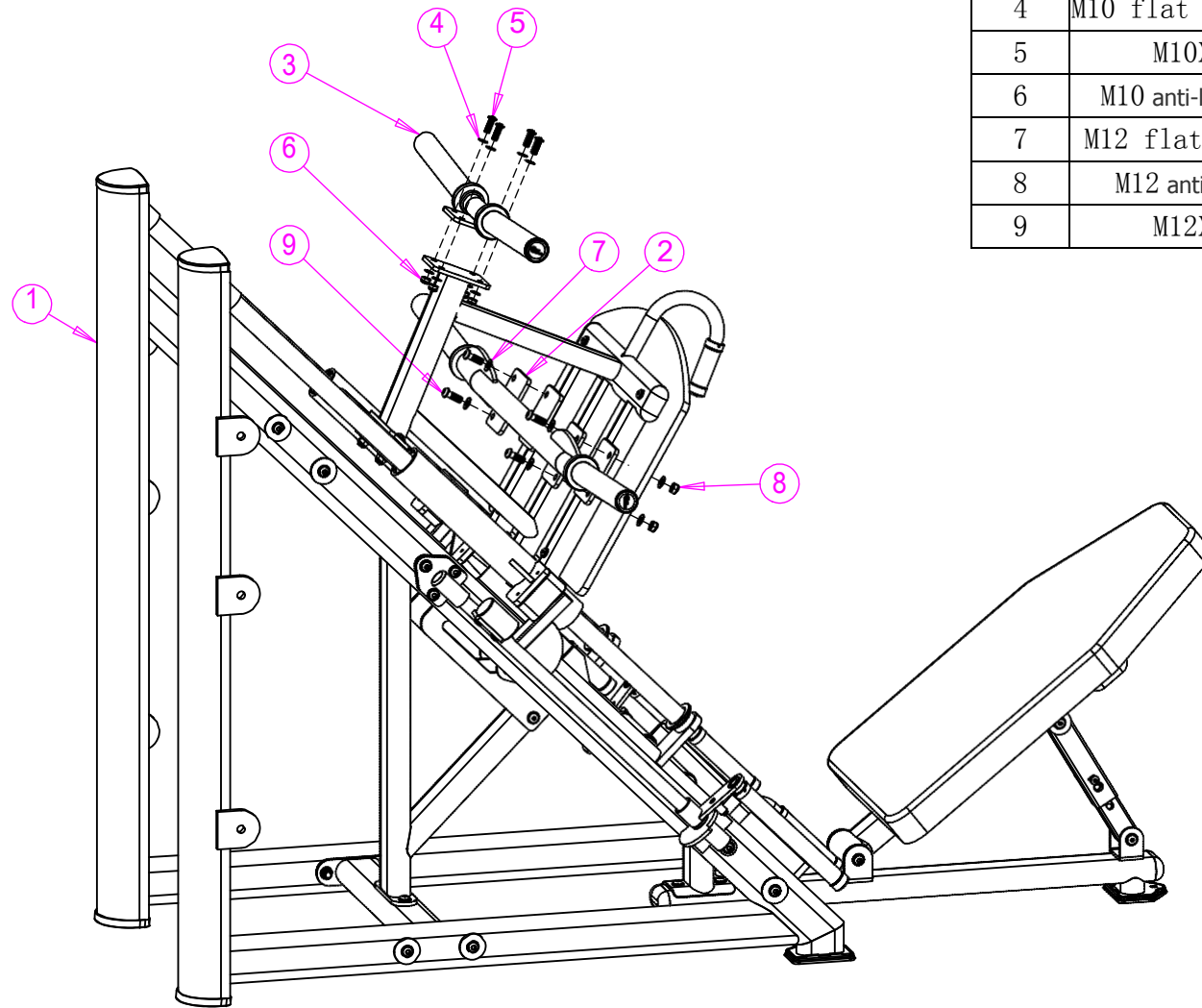


NO	CODE	NAME	QUANTITY
1	Step 3		1
2	R20-1100	Back frame	1
3	R20-1103	Bottom frame	1
4	R20-1101	Adjustable Tube	1
5	R20-1102	Adjustable Tube	1
6	R06-1046	50X100Square	1
7	R07-1006	FM-1024D D型	1
8	R07-1089	Back Cushion	1
9	55 washer	55 washer	2
10	M12flat washer	M12 flat	10
11	M12X80	Cup head M12X80	2
12	M12 anti-loose nut	M12 anti-loose nut	4
13	M12 spring washer	M12 spring washer	2
14	M12X20	Cup head M12X20	2
15	M12X100	Cup head M12X100	2
16	M8 flat washer	M8 flat washer	5
17	M8X80	Cup head M8X80	5

NO.	CODE	NAME	QUANTITY
1	Step 4		1
2	R20-1097	Seat Pad Frame	1
3	M12 flat washer	M12 flat washer	12
4	M12X70	Cup head M12X70	6
5	M12 anti-loose nut	M12 anti-loose nut	6
6	55 flat washer	55 flat washer	6



NO.	CODE	NAME	QUANTITY
1	Step 5		1
2	R20-1098	Tube	1
3	R20-1099	Dead Board	1
4	M10 flat washer	M10 flat washer	8
5	M10X30	Cup head M10X30	4
6	M10 anti-loose nut	M10 anti-loose nut	4
7	M12 flat washer	M12 flat washer	8
8	M12 anti-loose nut	M12 anti-loose nut	4
9	M12X35	Cup head M12X35	4



NO.	CODE	NAME	QUANTITY
1	Step 6		1
2	R04-1164	200 Bar Set	6
3	R21-1004	Bar Set Label	6
4	R06-1186	Bar Set Washer	6
5	M16X40	M16X40	6
6	M16 flat washer	M16 flat washer	6
7	M16 spring washer	M16 spring washer	6

